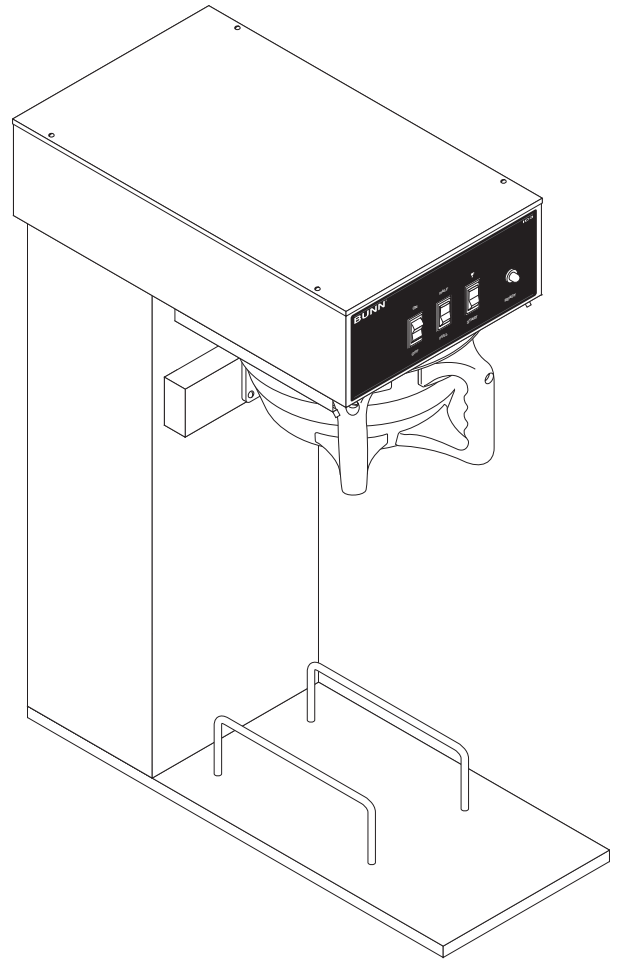
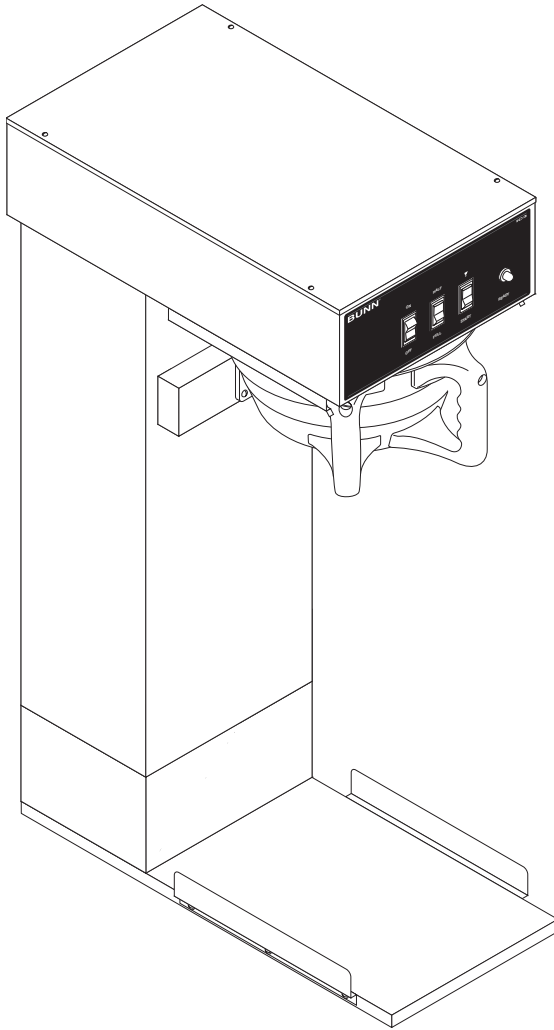


BUNN®

IC3 & IC3B



INSTALLATION & OPERATING GUIDE

BUNN-O-MATIC CORPORATION

POST OFFICE BOX 3227

SPRINGFIELD, ILLINOIS 62708-3227

PHONE: (217) 529-6601 FAX: (217) 529-6644

To ensure you have the latest revision of the Operating Manual, or to view the Illustrated Parts Catalog, Programming Manual, or Service Manual, please visit the Bunn-O-Matic website, at www.bunn.com. This is absolutely FREE, and the quickest way to obtain the latest catalog and manual updates. For Technical Service, contact Bunn-O-Matic Corporation at 1-800-286-6070.



BUNN-O-MATIC COMMERCIAL PRODUCT WARRANTY

Bunn-O-Matic Corp. ("BUNN") warrants equipment manufactured by it as follows:

- 1) Airpots, thermal carafes, decanters, GPR servers, iced tea/coffee dispensers, MCP/MCA pod brewers thermal servers and Thermofresh servers (mechanical and digital)- 1 year parts and 1 year labor.
- 2) All other equipment - 2 years parts and 1 year labor plus added warranties as specified below:
 - a) Electronic circuit and/or control boards - parts and labor for 3 years.
 - b) Compressors on refrigeration equipment - 5 years parts and 1 year labor.
 - c) Grinding burrs on coffee grinding equipment to grind coffee to meet original factory screen sieve analysis - parts and labor for 4 years or 40,000 pounds of coffee, whichever comes first.

These warranty periods run from the date of installation BUNN warrants that the equipment manufactured by it will be commercially free of defects in material and workmanship existing at the time of manufacture and appearing within the applicable warranty period. This warranty does not apply to any equipment, component or part that was not manufactured by BUNN or that, in BUNN's judgment, has been affected by misuse, neglect, alteration, improper installation or operation, improper maintenance or repair, non periodic cleaning and descaling, equipment failures related to poor water quality, damage or casualty. In addition, the warranty does not apply to replacement of items subject to normal use including but not limited to user replaceable parts such as seals and gaskets. This warranty is conditioned on the Buyer 1) giving BUNN prompt notice of any claim to be made under this warranty by telephone at (217) 529-6601 or by writing to Post Office Box 3227, Springfield, Illinois 62708-3227; 2) if requested by BUNN, shipping the defective equipment prepaid to an authorized BUNN service location; and 3) receiving prior authorization from BUNN that the defective equipment is under warranty.

THE FOREGOING WARRANTY IS EXCLUSIVE AND IS IN LIEU OF ANY OTHER WARRANTY, WRITTEN OR ORAL, EXPRESS OR IMPLIED, INCLUDING, BUT NOT LIMITED TO, ANY IMPLIED WARRANTY OF EITHER MERCHANTABILITY OR FITNESS FOR A PARTICULAR PURPOSE. The agents, dealers or employees of BUNN are not authorized to make modifications to this warranty or to make additional warranties that are binding on BUNN. Accordingly, statements by such individuals, whether oral or written, do not constitute warranties and should not be relied upon.

If BUNN determines in its sole discretion that the equipment does not conform to the warranty, BUNN, at its exclusive option while the equipment is under warranty, shall either 1) provide at no charge replacement parts and/or labor (during the applicable parts and labor warranty periods specified above) to repair the defective components, provided that this repair is done by a BUNN Authorized Service Representative; or 2) shall replace the equipment or refund the purchase price for the equipment.

THE BUYER'S REMEDY AGAINST BUNN FOR THE BREACH OF ANY OBLIGATION ARISING OUT OF THE SALE OF THIS EQUIPMENT, WHETHER DERIVED FROM WARRANTY OR OTHERWISE, SHALL BE LIMITED, AT BUNN'S SOLE OPTION AS SPECIFIED HEREIN, TO REPAIR, REPLACEMENT OR REFUND.

In no event shall BUNN be liable for any other damage or loss, including, but not limited to, lost profits, lost sales, loss of use of equipment, claims of Buyer's customers, cost of capital, cost of down time, cost of substitute equipment, facilities or services, or any other special, incidental or consequential damages.

392, A Partner You Can Count On, AutoPOD, AXIOM, BrewLOGIC, BrewMETER, Brew Better Not Bitter, BrewWISE, BrewWIZARD, BUNN Espresso, BUNN Family Gourmet, BUNN Gourmet, BUNN Pour-O-Matic, BUNN, BUNN with the stylized red line, BUNNlink, Bunn-O-Matic, Bunn-O-Matic, BUNNserve, BUNNSERVE with the stylized wrench design, Cool Froth, DBC, Dr. Brew stylized Dr. design, Dual, Easy Pour, EasyClear, EasyGard, FlavorGard, Gourmet Ice, Gourmet Juice, High Intensity, iMIX, Infusion Series, Intellisteam, My Café, Phase Brew, PowerLogic, Quality Beverage Equipment Worldwide, Respect Earth, Respect Earth with the stylized leaf and coffee cherry design, Safety-Fresh, savemycoffee.com, Scale-Pro, Silver Series, Single, Smart Funnel, Smart Hopper, SmartWAVE, Soft Heat, SplashGard, The Mark of Quality in Beverage Equipment Worldwide, ThermoFresh, Titan, trifecta, Velocity Brew, Air Brew, Air Infusion, Beverage Bar Creator, Beverage Profit Calculator, Brew better, not bitter., BUNNSource, Coffee At Its Best, Cyclonic Heating System, Daypart, Digital Brewer Control, Element, Nothing Brews Like a BUNN, Pouring Profits, Signature Series, Tea At Its Best, The Horizontal Red Line, Ultra are either trademarks or registered trademarks of Bunn-O-Matic Corporation. The commercial trifecta® brewer housing configuration is a trademark of Bunn-O-Matic Corporation.

INTRODUCTION

This equipment will brew a batch of fresh coffee into an awaiting vessel and dispense at approximately room temperature to conserve ice. The brewer is only for indoor use on a sturdy counter or shelf and requires a minimum of 33 inches of clearance above the counter.

USER NOTICES

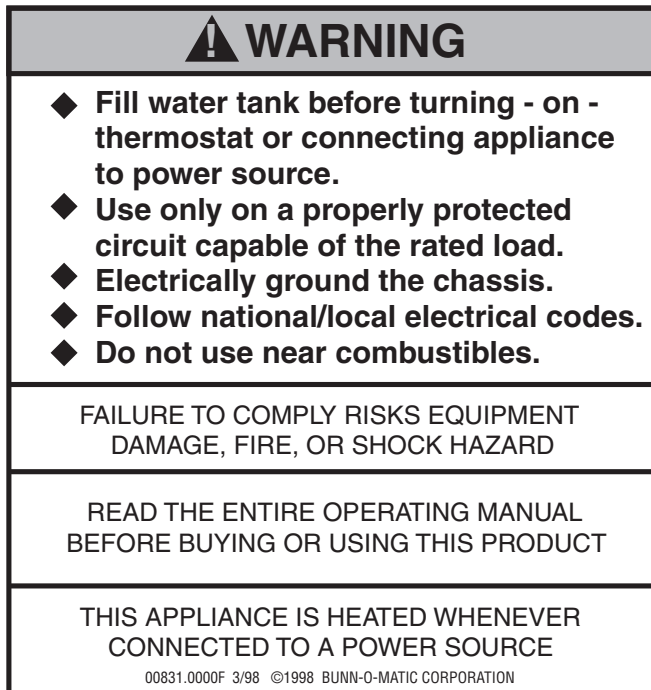
The notices on this brewer should be kept in good condition. Replace unreadable or damaged labels.



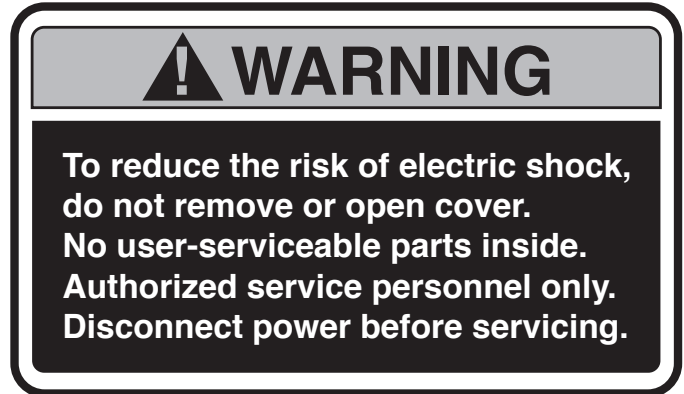
03408.0000



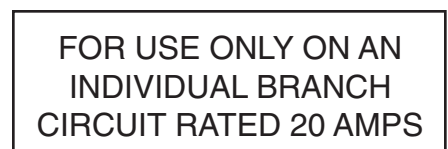
03409.0000



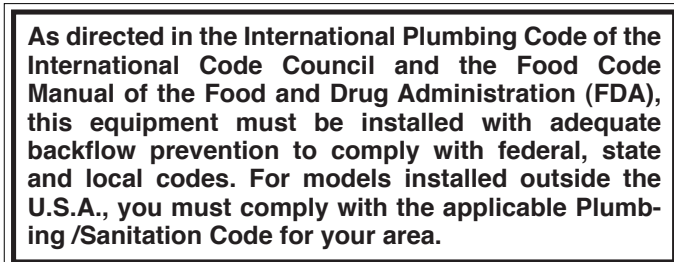
00831.0000



37881.0000



00985.0000

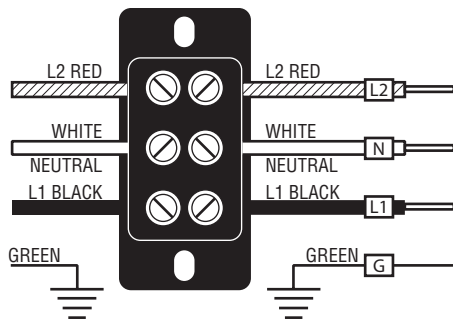


00656.0001

ELECTRICAL REQUIREMENTS

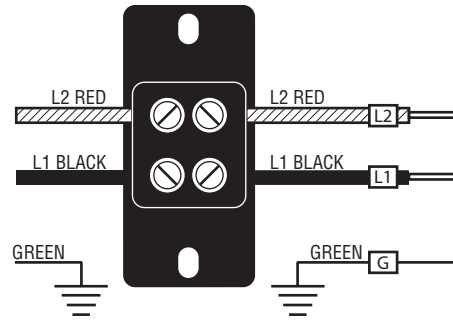
WARNING - The brewer must be disconnected from the power source until specified in *Initial Set-Up*.

Refer to Data Plate on the Brewer, and local/national electrical codes to determine circuit requirements.



120/208 and 120/240 volt ac models

Note: This electrical service consists of 3 current carrying conductors (Neutral, L1 and L2) and a separate conductor for earth ground.



200 volt ac models

Note: This electrical service consists of 2 current carrying conductors (L1 and L2) and a separate conductor for earth ground.

Electrical Hook-Up

CAUTION – Improper electrical installation will damage electronic components.

1. An electrician must provide electrical service as specified.
2. Remove the top lid and rotate the control thermostat knob fully counterclockwise to the “OFF” position and reinstall the top lid.
3. Remove the rear trunk panel, feed the cord through the strain relief at the rear of the brewer and connect it to the terminal block.
4. Using a voltmeter, check the voltage and color coding of each conductor at the power source.
5. Connect the brewer to the power source and verify the voltage at the terminal block and reinstall the rear trunk panel.
6. If plumbing is to be hooked up later be sure the brewer is disconnected from the power source. If plumbing has been hooked up, the brewer is ready for *Initial Set-Up*.

WARNING – The brewer must be electrically grounded using the green screw near the terminal block. Do not assume a plumbing line will provide an adequate ground.

PLUMBING REQUIREMENTS

This brewer must be connected to a cold water system with operating pressure between 30 (207 kPa) and 90 psi (620 kPa) from a ½" or larger supply line. A shut-off valve should be installed in the line before the brewer. Install a regulator in the line when pressure is greater than 90 psi (620 kPa) to reduce it to 50 psi (345 kPa). The water inlet fitting is ¼" flare.

NOTE - Bunn-O-Matic recommends ¼" tubing for installations of less than 25 feet and ⅜" for more than 25 feet from the ½" water supply line. A coil of tubing in the water line will facilitate moving the brewer to clean the countertop. Bunn-O-Matic does not recommend the use of a saddle valve to install the brewer. The size and shape of the hole made in the supply line by this type of device may restrict water flow.

As directed in the International Plumbing Code of the International Code Council and the Food Code Manual of the Food and Drug Administration (FDA), this equipment must be installed with adequate backflow prevention to comply with federal, state and local codes. For models installed outside the U.S.A., you must comply with the applicable Plumbing /Sanitation Code for your area.

Plumbing Hook-Up

1. Attach the female fitting from the short piece of tubing on the strainer assembly (supplied) to the water inlet fitting on the rear of the brewer.
2. Flush the water line and securely attach it to the flare fitting on the strainer assembly.
3. Turn on the water supply.

INITIAL SET-UP

1. Remove the top lid from the brewer.
2. Rotate the control thermostat knob fully counterclockwise to the “OFF” position and replace the top lid.
3. Insert an empty funnel into the funnel rails.
4. Place an empty dispenser on the brewer base. Be prepared to empty the dispenser during these initial steps.
5. Plug in the brewer, place the ON/OFF switch in the “ON” position, and momentarily press the START switch. Water will flow into the tank and dispenser for five minutes and forty-five seconds. Empty the dispenser when this first cycle stops and press the START switch again. Empty the dispenser when the second cycle stops and press the START switch once more. During the third cycle, the tank will fill to its capacity and the excess will flow from the funnel into the dispenser. Empty the dispenser when this third cycle stops.
6. Disconnect the brewer from the power source, remove the rear trunk panel, and turn the handle on the needle valve approximately one-quarter turn counterclockwise to enable the flow of dilution water. This valve is fully closed at the factory.

NOTE - The next step requires the use of a stopwatch to calculate the amount of dilution water flowing from the nozzle in one minute. You’ll need to capture and measure the timed dilution water in a separate vessel than the one used for the water flowing from the funnel.

7. Place a vessel under the brew funnel to catch the brew water. Use a hose or other means to divert the water from the dilution nozzle to a separate container.
8. Connect the brewer to the power source. Simultaneously press the start switch to begin another brew cycle and start the stop watch. Place the ON/OFF switch in the “OFF” position at exactly sixty-seconds (one-minute). When the flow of water stops, measure the volume of the captured dilution water. It should be approximately twenty-two ounces.
9. If not, disconnect the brewer from the power source, and adjust the handle on the needle valve clockwise to decrease the amount of water or counterclockwise to increase the amount of dilution water as required.
10. Repeat steps 8 & 9 until the recommended dilution water volume (twenty-two ounces) is achieved.
11. Disconnect the brewer from the power source and reinstall the rear trunk panel.
12. Unplug the brewer, remove the top lid, rotate the control thermostat knob fully clockwise to the “ON” position and replace the top lid.
13. Empty the dispenser.
14. Connect the brewer to the power source and wait for the ready light to glow indicating the water in the tank has heated to brewing temperature (approximately 20 minutes). Some water will drip from the funnel during this time; this is due to expansion and should not occur thereafter.
15. Begin another brew cycle and measure the total water volume from the dispenser. It should be approximately 3 gallons and 12 ounces. (396 ounces).
16. If not adjust the timer as required. See *Adjusting Brew Volumes*.
17. Start, and measure another cycle.
18. Repeat steps 16-17 until the recommended total water volume is achieved.
19. The brewer is now ready to brew a batch of freshly brewed room temperature coffee.

ADJUSTING BREW VOLUMES

CAUTION - Disconnect the power source from the brewer prior to the removal of any panel for the replacement or adjustment of any component.

NOTE: Prior to setting or modifying batch sizes, check that the brewer is connected to water supply, the tank is properly filled, and a funnel and server are in place.

1. **Modifying batch sizes.** To modify a batch volume, first check that the SET/LOCK switch is in the “SET” position on the circuit board.

To increase a batch size. Press and hold the START or BREW switch until three clicks are heard. Release the switch (Failure to release the switch within two seconds after the third click causes the volume setting to be aborted and previous volume setting will remain in memory) and press it again one or more times. Each time the switch is pressed, two seconds are added to the brew time period. Allow the brew cycle to finish in order to verify that the desired volume has been achieved.

To decrease a batch size. Press and release the START or BREW switch once for every two-second interval to be removed from the total brew time period; then immediately press and hold down the START or BREW switch until three clicks are heard. Release the switch. (Failure to release the switch within two seconds after the third click causes the volume setting to be aborted and previous volume setting will remain in memory). Allow the brew cycle to finish in order to verify that the desired volume has been achieved.

2. **Setting batch sizes.** To set a batch volume, first check that the SET/LOCK switch is in the “SET” position on the circuit board. Press and hold the START or BREW switch until three distinct clicks are heard (approximately 10 seconds) and then release the switch. (Failure to release the switch within two seconds after the third click causes the volume setting to be aborted and previous volume setting will remain in memory). View the level of the liquid being dispensed. When the desired level is reached, turn the ON/OFF switch to “OFF” (lower). The brewer remembers this volume and will continue to brew batches of this size until the volume setting procedure is repeated.

NOTE: When brewing tea, batch volumes will decrease due to absorption by the tea leaves.

3. **Setting programming disable feature.** If it becomes necessary to prevent anyone from changing brew times once programmed, you can set the SET/LOCK switch to the “LOCK” position. This will prevent any programming to be done until switch is once again placed in the “SET” position.

CLEANING

CAUTION - Clean and sanitize your iced coffee brewer **daily**

1. Remove and thoroughly clean the entire brew funnel. The funnel must be free from any coffee particles or residue.
2. Disconnect the brewer from the power source. Remove and thoroughly rinse the sprayhead. Wipe the sprayhead panel clean with a damp cloth.
3. Insert the delimiting spring into the sprayhead fitting until no more than one inch is visible and move it in and out 5 or 6 times. Insert the spring into the airvent hole in the sprayhead panel and move it in and out 5 or 6 times. Reattach the sprayhead.
4. Wash the entire outside surface of the brewer with a clean damp cloth.

CAUTION - Do not keep brewed coffee overnight. The dispenser must be cleaned and sanitized daily.

OPERATING CONTROLS

A. Lighted On/Off Switch

ON - Placing the switch in the lighted upper position allows the start switch to activate a brew cycle.

OFF - Placing the switch in the lower position stops the brew cycle. Stopping a brew cycle after it has been started will not stop the flow of water into the funnel until the tank syphons down to its proper level.

NOTE - The switch should always be placed in the “OFF” position after a brew cycle and whenever the brewer is unattended.

B. Full/Half Batch Selector Switch

Placing the switch in the upper or lower position will set the brewer to deliver the desired brew volume. Both selections can be adjusted to a desired brew volume (refer to ADJUSTING BREW VOLUMES).

C. Start Switch

Starts a brew cycle when the lighted On/Off switch is in the “ON” position.

D. Master ON/OFF Switch

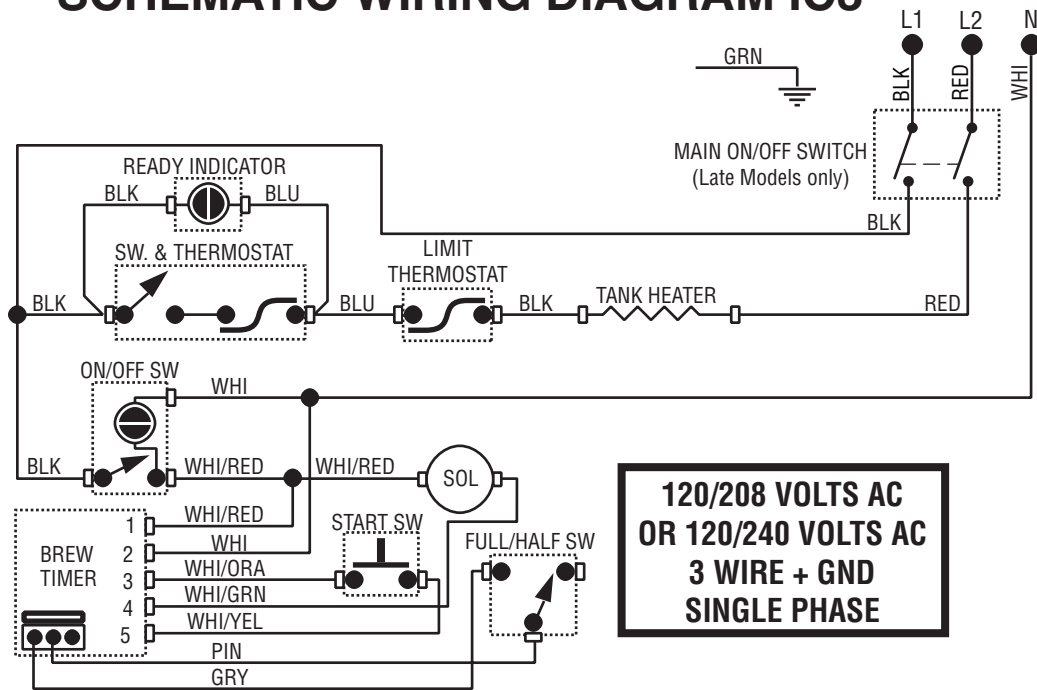
Enables and disables power to the control board and other circuitry.

WARNING - This switch does not remove AC power from the entire dispenser. Disconnect power source before servicing the dispenser.

COFFEE BREWING

1. Begin each brew cycle with a clean empty brew funnel and dispenser. (Be sure the dispenser lid doesn't interfere with the flow of dilution water.)
 2. Insert a BUNN 3-gallon urn filter into the funnel.
 3. Pour the recommended amount of fresh coffee into the filter.
 4. Level the bed of coffee grounds by gently shaking.
 5. Slide the funnel into the funnel rails until it stops.
 6. Place the On/Off switch in the lighted “ON” position.
 7. Place the batch selector switch in the desired position.
 8. Momentarily press the start switch.
- CAUTION** - The funnel contains hot liquids. Remove funnel slowly.
9. Carefully remove the funnel and discard the used filter when coffee no longer drips from the funnel.
 10. Place the lighted On/Off switch in the “OFF” position to prevent a false start.
 11. Fresh Brewed Product is available at the faucet.

SCHEMATIC WIRING DIAGRAM IC3



SCHEMATIC WIRING DIAGRAM IC3B

