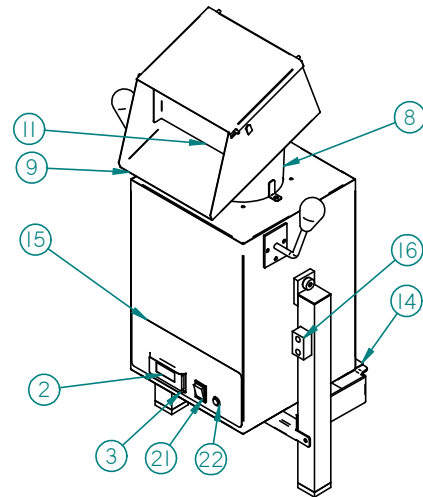
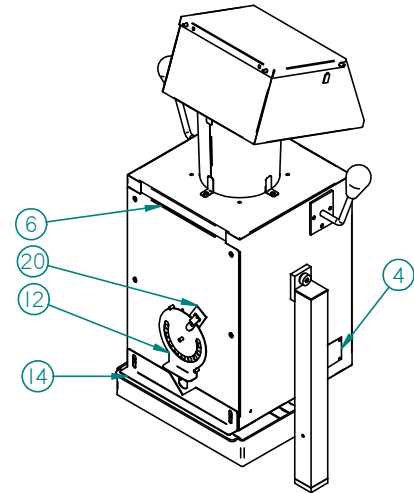
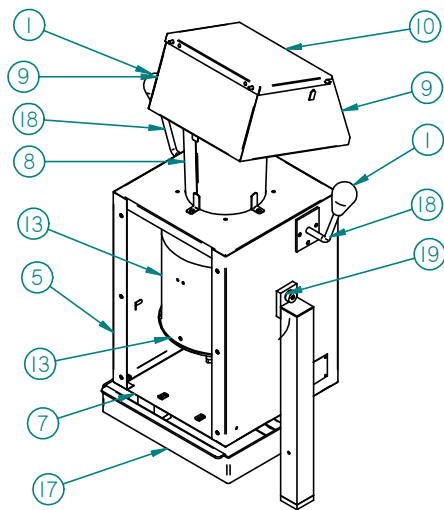
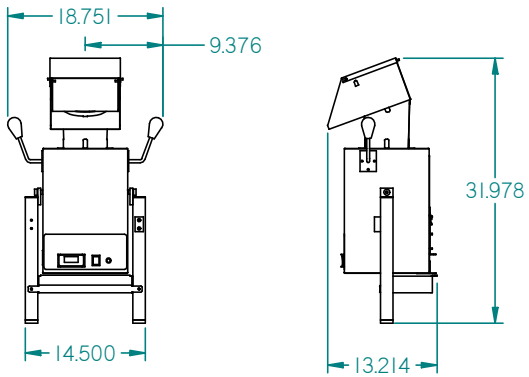


Item Number	Document Number	Title	Quantity
1	1100	KNOB	2
2	14585	DIGITAL CONTROLLER-120V.	1
3	14585-CG	CONTROL GUARD - HOT DOG GRILL	1
4	1517	NAMEPLATE-SERIAL NO-BLANK	1
5	16730-1	CABINET - POPPI	1
6	16731	BACK PANEL - POPPI CABINET	1
7	16732	BOTTOM PANEL - POPPI CABINET	1
8	16758-1	NECK - HEAD ASSEMBLY - POPPI	1
9	16758-2	HEAD - HEAD ASSEMBLY - POPPI	1
10	16759	POPPING COVER LID	1
11	16760	COVER FLAP-BATCH AIR POPPER	1
12	16761	AIR INTAKE ADJUSTMENT PLATE	1
13	16856	INNER SHROUD BODY	1
14	16910	PIVOT BAR STOP	1
15	16927	DECAL - POPPI	1
16	18217	BUMPER	1
17	19108	SHELF MOUNT-BATCH AIR POPPER	1
18	2109-P	DUMP HANDLE-POPPI	2
19	2216	BEARING 3/8" ID - FLANGED	1
20	2554	CLIP	1
21	5130	SWITCH-LIGHTED-230V	1
22	5200	INDICATOR LIGHT	1

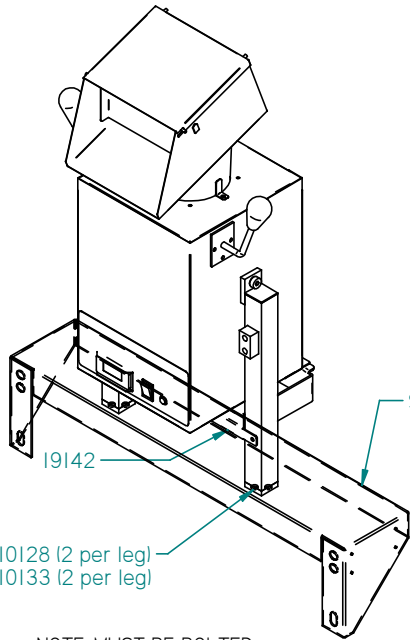


POPPI2XX-G-X



			<b>C. CRETORS &amp; COMPANY</b> 3243 N. CALIFORNIA AVE., CHICAGO, IL 60618-5890 TEL: 773/588-1690 FAX: 773/588-2171		TOLERANCES X.XX = ±0.020 X.XXX = ±0.005 FRACT. = ±1/64 125 SURFACE FINISH ∠ ±5° ALL HOLES +.005 -0.000		NAME: BATCH AIR POPPER (POPPI) PARTS LIST & CONFIGURATION		
			This drawing contains information proprietary to C. Cretors & Co. and is furnished in confidence for the sole purposes of supplying the recipient with needed engineering data. Its contents should not be disclosed or reproduced in any manner without the written consent of C. Cretors & Co. All Rights Reserved.		DRAWN BY: npankey MATERIAL: DATE:		CHKD: DATE: SCALE: DWG. No.		
REV.	DESCRIPTION OF REVISION	BY			DATE	APPROVED DATE: REV: A		POPPI2-XX-X-X	

POPPII2XX-G-X

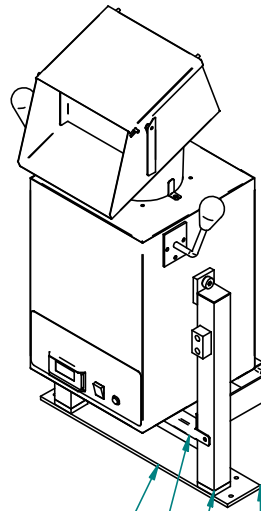


SHELF I666-P

10128 (2 per leg)  
10133 (2 per leg)

NOTE: MUST BE BOLTED  
DOWN TO SHELF  
I666-P

POPPII2XX-C-X



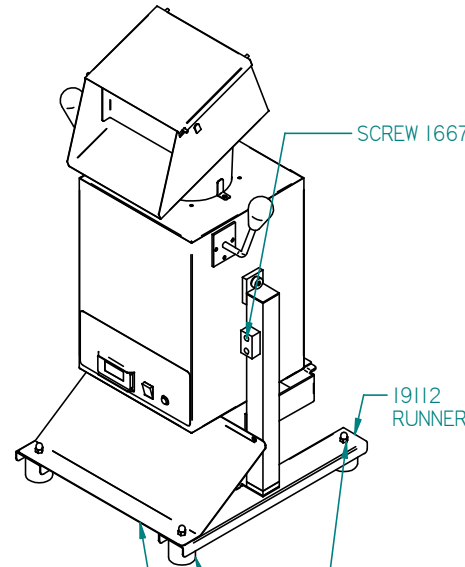
19113  
TABLE  
MOUNTING  
PLATE

19142

19115 (2 PER LEG)

MOUNTING BOLTS NOT SUPPLIED

POPPII2XX-F-X



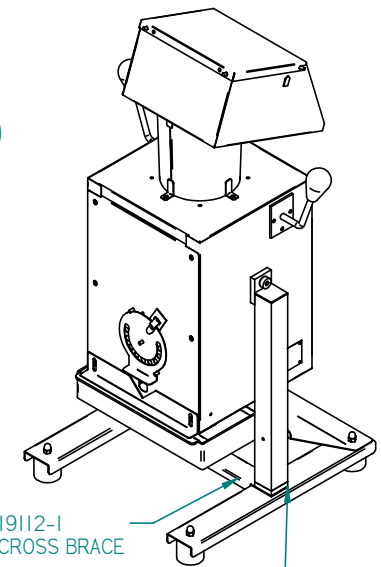
SCREW I6670 (2x)

19112  
RUNNER

19138  
DEFLECTOR SHIELD  
(OPTIONAL)

19139  
RUBBER FOOT

18580: CROWN NUT  
13006: 1/4-20 BOLT  
5743: S.S. LOCK NUT



19112-1  
CROSS BRACE

10128 (2 per leg)  
10133 (2 per leg)

			<b>C. CRETORS &amp; COMPANY</b> 3243 N. CALIFORNIA AVE., CHICAGO, IL 60618-5890 TEL: 773/588-1690 FAX: 773/588-2171		TOLERANCES X.XX = ±0.020 X.XXX = ±0.005 FRACT. = ±1/64		NAME: BATCH AIR POPPER (POPPI) PARTS LIST & CONFIGURATION		
			This drawing contains information proprietary to C. Cretors & Co. and is furnished in confidence for the sole purposes of supplying the recipient with needed engineering data. Its contents should not be disclosed or reproduced in any manner without the written consent of C. Cretors & Co. All Rights Reserved.		125 SURFACE FINISH ±.5°		DRAWN BY: npankey MATERIAL:		
					ALL HOLES +.005 -0.000		DATE:		DATE:
REV.	DESCRIPTION OF REVISION	BY	DATE			CHKD:		SCALE:	
						APPROVED		REV: A	
								DWG. No. POPPII2-XX-X-X	