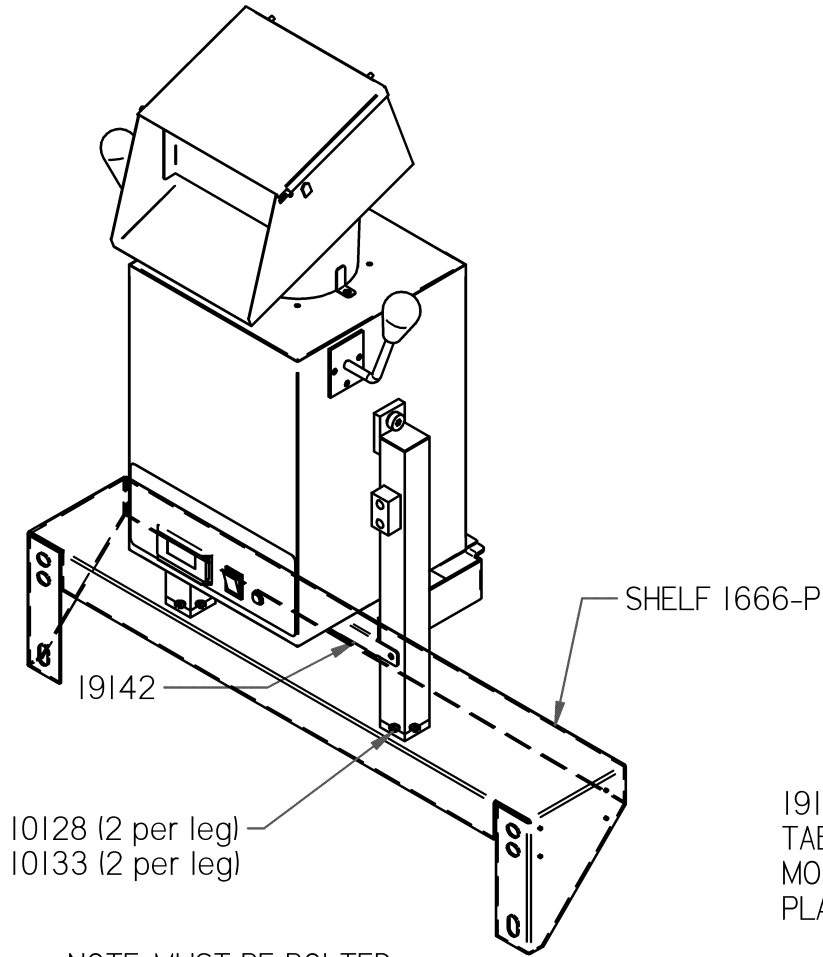
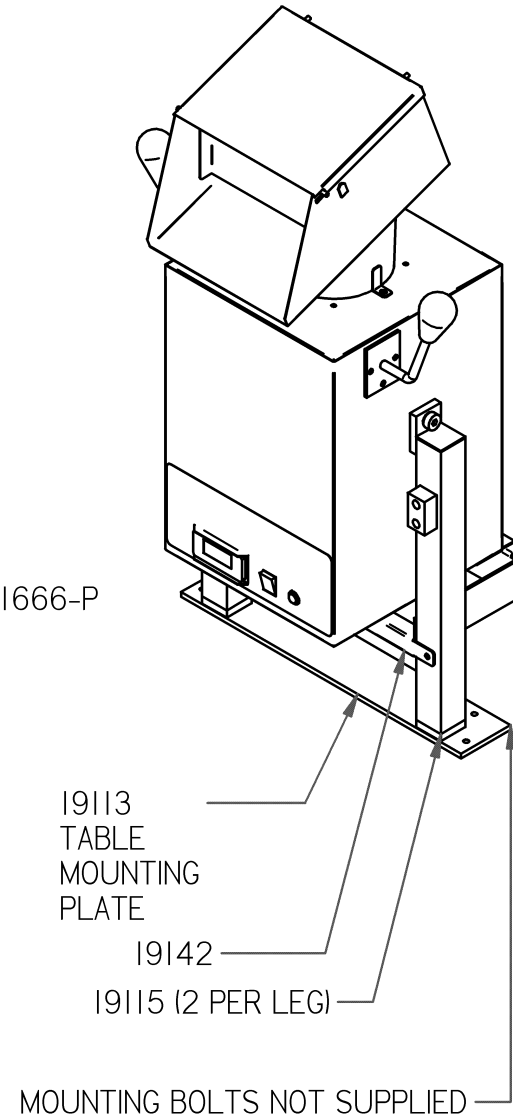


POPPII2XX-G-X

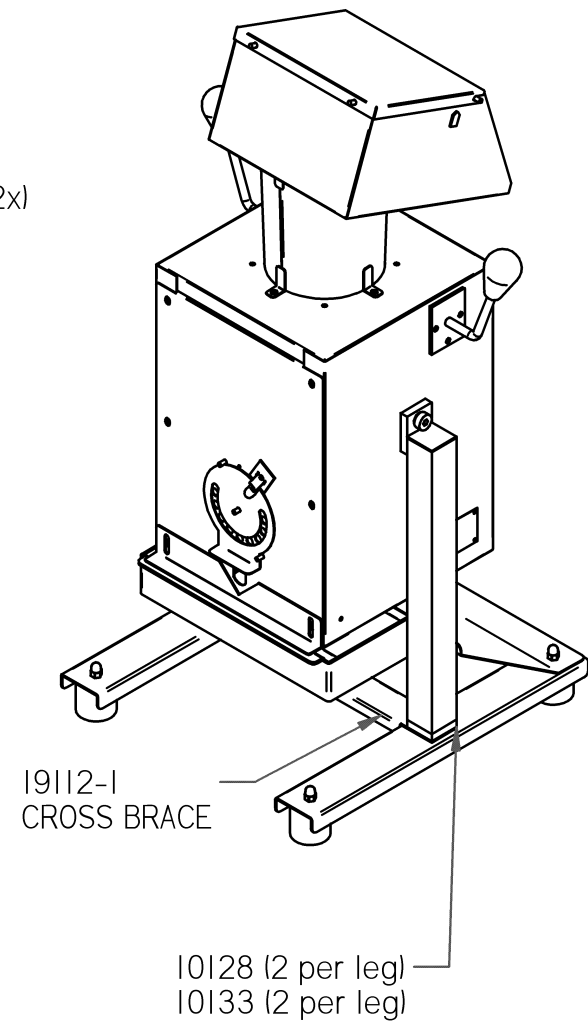
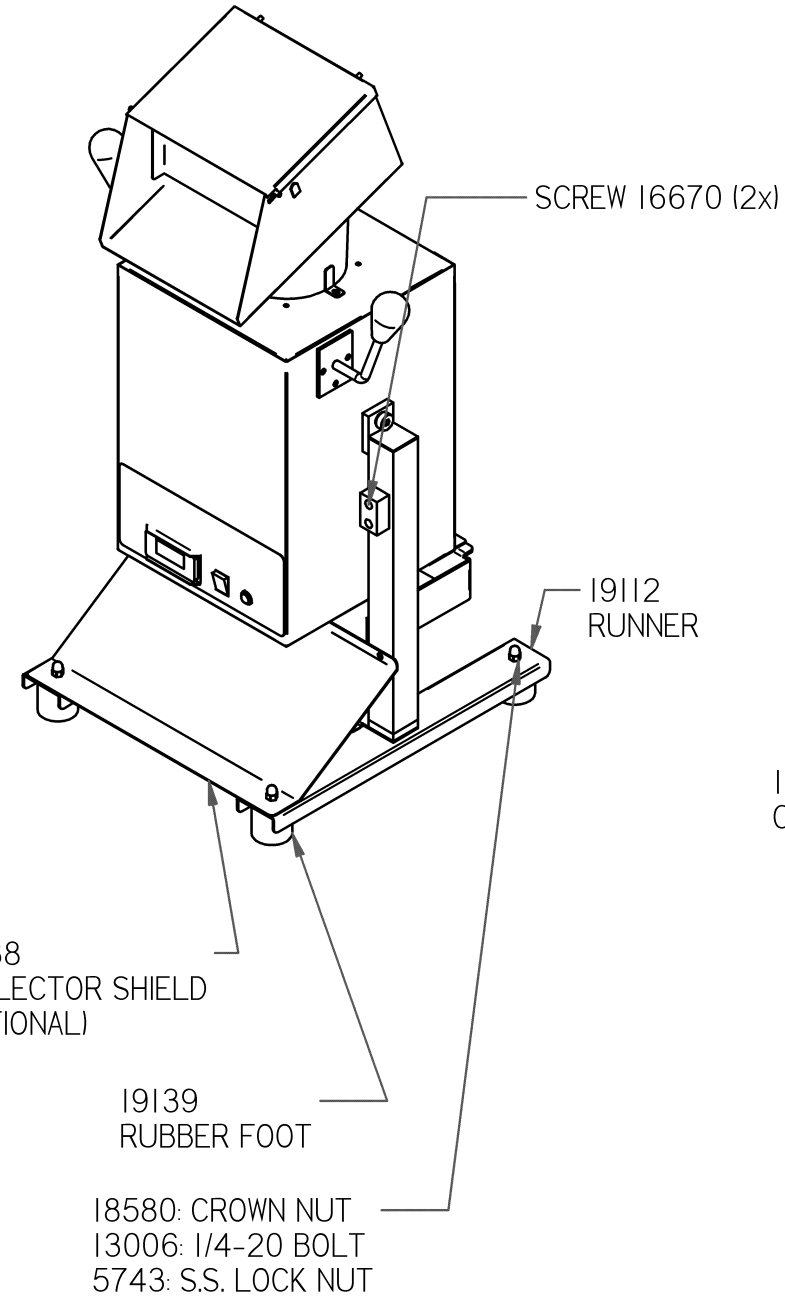


NOTE: MUST BE BOLTED DOWN TO SHELF 1666-P

POPPII2XX-C-X



POPPII2XX-F-X



REV.		DESCRIPTION OF REVISION		BY		DATE		<p>C. CRETORS & COMPANY 3243 N. CALIFORNIA AVE., CHICAGO, IL 60618-5890 TEL: 773/588-1690 FAX: 773/588-2171</p> <p>This drawing contains information proprietary to C. Cretors & Co. and is furnished in confidence for the sole purposes of supplying the popper with needed engineering data. Its contents should not be disclosed or reproduced in any manner without the written consent of C. Cretors & Co. All Rights Reserved.</p>		<p>TOLERANCES X.XX = ±0.020 X.XXX = ±0.005 FRACT. = ±1/64</p> <p>125 SURFACE FINISH ±.5°</p> <p>ALL HOLES +.005 -.000</p>		<p>NAME: BATCH AIR POPPER (POPPII) PARTS LIST & CONFIGURATION</p> <p>DRAWN BY: rpankey MATERIAL:</p> <p>DATE:</p> <p>CHKD: DATE: SCALE: DWG. No.</p> <p>APPROVED DATE: REV: A POPPII2-XX-X-X</p>			
------	--	-------------------------	--	----	--	------	--	--	--	---	--	--	--	--	--

SOLID EDGE HOME USE