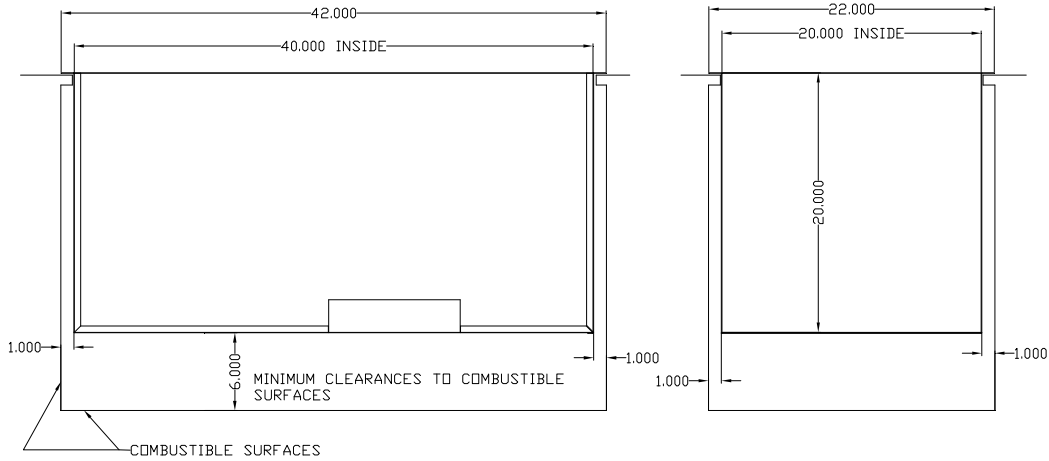
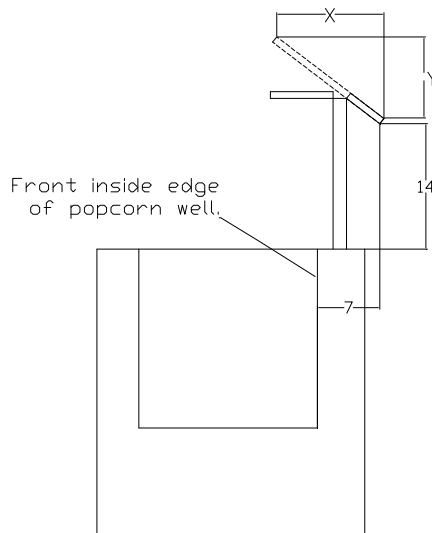


# Model 2243-40



## SNEEZE GUARD REQUIREMENTS – NSF/ANSI STD 4

$$X + Y > 18 \text{ IN. (457 mm)}$$



## AIR INLET AREA REQUIRED BY WARMER

18 SQUARE INCHES FOR MODELS WITH ONE HEATER/BLOWER,

## ELECTRICAL REQUIREMENTS

120V, 60HZ

850 WATTS FOR MODELS WITH ONE HEATER/BLOWER – 15 AMP BREAKER

## Agency Approvals:

U.L., CUL, ULS (UL Sanitation – NSF4)

## **Gold Medal Products Co.**

10700 Medallion Drive Cincinnati, Ohio 45241-4807

Phone: 513-769-7676 fax: 513-769-8500

e-mail: [www.gmpopcorn.com](http://www.gmpopcorn.com)