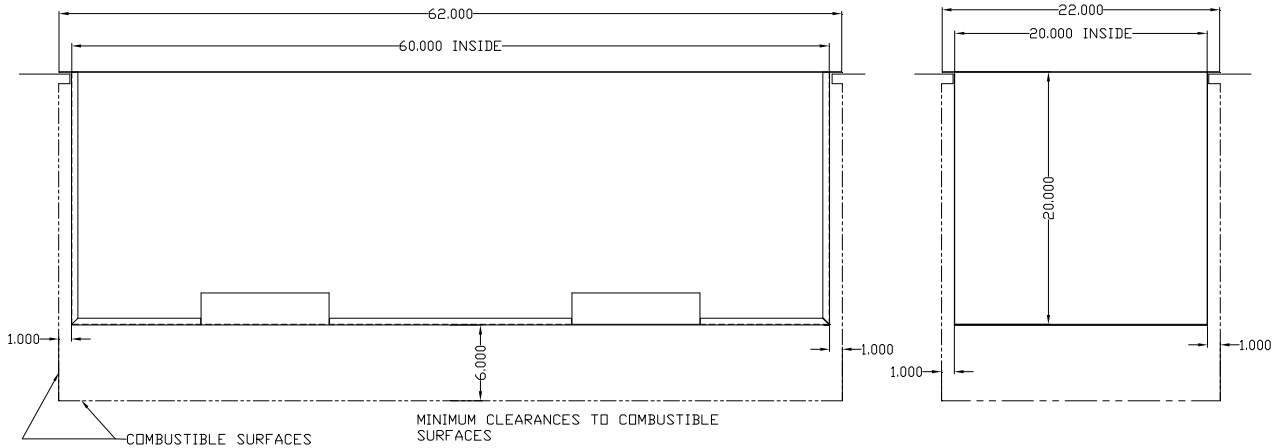
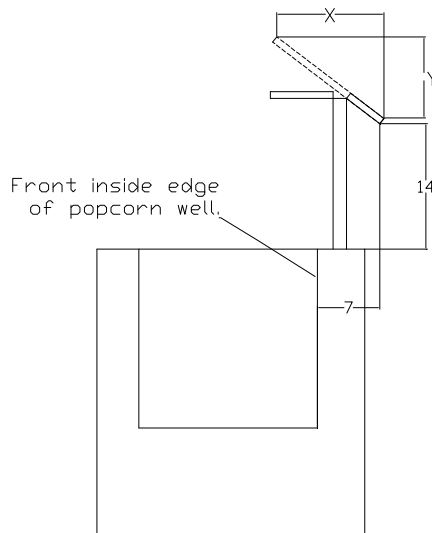


Model 2243



SNEEZE GUARD REQUIREMENTS – NSF/ANSI STD 4

$$X + Y > 18 \text{ IN. (457 mm)}$$



AIR INLET AREA REQUIRED BY WARMER

36 SQUARE INCHES FOR MODELS WITH TWO HEATER/BLOWERS.

ELECTRICAL REQUIREMENTS

120V, 60HZ

1700 WATTS FOR MODELS WITH TWO HEATER/BLOWERS – 20 AMP BREAKER

Agency Approvals:

U.L., CUL, ULS (UL Sanitation – NSF4)

Gold Medal Products Co.

10700 Medallion Drive Cincinnati, Ohio 45241-4807

Phone: 513-769-7676 fax: 513-769-8500

e-mail: www.gmpopcorn.com