

# Cornado Popping Unit

## 36, 48 & 60 oz. Domestic Units

### Instruction Manual



 **GOLD MEDAL**<sup>®</sup>  
**FUNFOOD EQUIPMENT & SUPPLIES**

Cincinnati, OH 45241-4807 USA

# SAFETY PRECAUTIONS



## **⚠ DANGER**

Machine **MUST** be properly grounded to prevent electrical shock to personnel. Failure to do so could result in serious injury, or death. Do **NOT** immerse the kettle, warmer, or any other part of this equipment in water. Always unplug the equipment before cleaning or servicing. Do not use excessive water when cleaning.



## **⚠ WARNING**

To avoid serious burns, do **NOT** touch the kettle while it is hot.



## **⚠ WARNING**

**ALWAYS** wear safety glasses when servicing this equipment.



## **⚠ WARNING**

Any alterations to this equipment will void the warranty and may cause a dangerous situation. **NEVER** make alterations to the equipment. Make sure all machine switches are in the off position before plugging the equipment into the receptacle.



## **⚠ CAUTION**

Do **NOT** allow direct contact with this equipment and the general public when used in food service locations. Only personnel that are trained and familiar with the equipment should operate the equipment. Carefully read all installation instructions before operation.



## **⚠ CAUTION**

This machine is **NOT** to be operated by minors. Minors are classified as anyone under the age of 18.

## **NOTE**

Improvements are always being made to Gold Medal Products equipment. This information may not be the latest available for your purposes. It is critical that you call Gold Medal Products technical service department at 1-800-543-0862 for any questions about machine operations, replacement parts, or any service questions.

# Installation Instructions


## Checking Shipment

Unpack all cartons and check thoroughly for any damage which may have occurred in transit. Damage claims should be filed immediately with the transportation company. Gold Medal is not responsible for damage that occurs in transit.

## Domestic models only: 120v/208v or 120v/240v 60 Hz.

A **30 amp** – 4 wire wall receptacle is shipped with each **36 oz.** machine. This receptacle will accept the attachment plug on the popper and must be used. Your electrician must furnish sufficient current for proper operation of your machine. The **36 oz.** Cornado must be operated on a 30 amp dedicated, and circuit protected, line. (note: The Cornado “uses” both “hot to neutral” legs, 120v. The machine does not “use” the 208v or 240v, “hot to hot” connection.

A **50 amp** – 4 wire wall receptacle is shipped with each **48 & 60 oz.** machine. This receptacle will accept the attachment plug on the popper and must be used. Your electrician must furnish sufficient current for proper operation of your machine. The **48 or 60 oz.** Cornado must be operated on a 50 amp dedicated, and circuit protected, line. (note: The Cornado “uses” both “hot to neutral” legs, 120v. The machine does not “use” the 208v or 240v, “hot to hot” connection.

	<b>⚠ DANGER</b>
<p>Machine must be properly grounded to prevent shock in case of electrical problems.          Wall receptacle must be wired as shown on the receptacle.          Failure to wire properly will void the warranty and can result in damage to motors, elements, relay, lights, etc.</p>	

## Final Preparations

<b>⚠ WARNING</b>

<p>To avoid serious burns, do <b>NOT</b> touch the kettle while it is hot!</p>

The popcorn machine was adjusted, inspected, and tested before it left the factory.

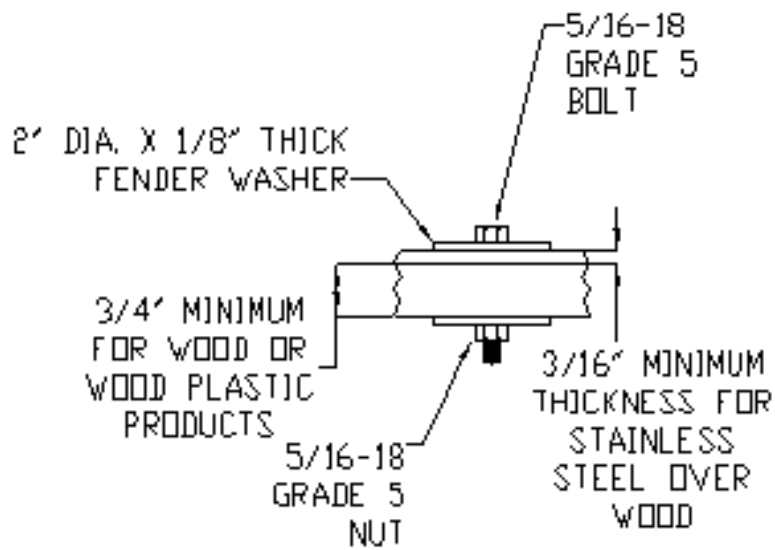
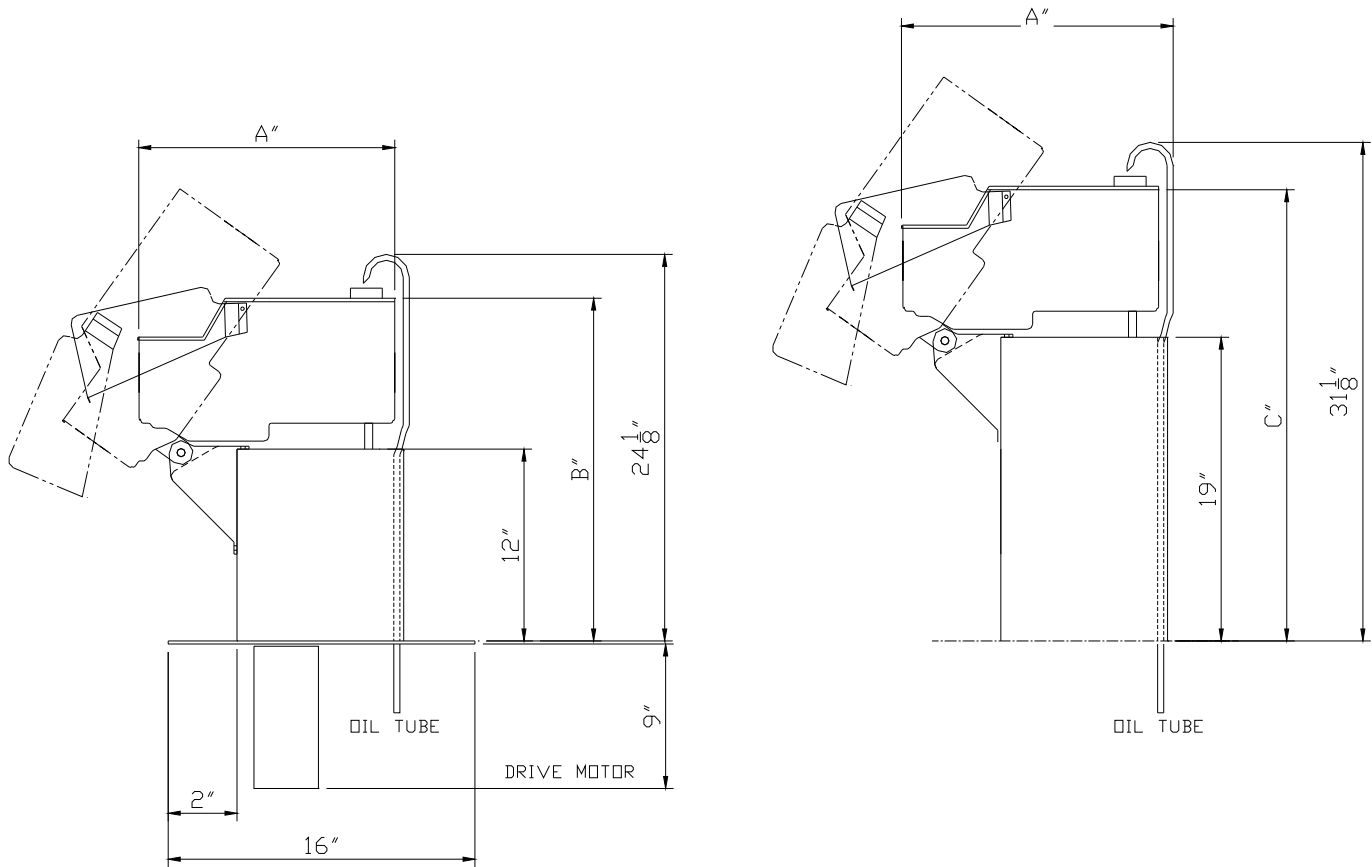
Connect the clear oil line from the pump to the aluminum line from the popper with the supplied hose clamp. Connect the 6 pin connector from the popper to the receptacle on the oil pump. Both Bucket pump (2114E) and Bag-in-a-Box pump (2257) have the same receptacle.

Follow the instructions provided in the oil pump manual to set the oil delivery amount. The proper amount of oil for the 36oz. Cornado is 9 to 12 ounces. The proper amount of oil for the 48 oz. Cornado is 12 to 16 ounces. The proper amount of oil for the 60 oz. Cornado is 15 to 20 ounces.

To check for proper amount of oil, and assure oil is liquid, dispense a “shot” into a measuring cup.

## Mounting Instructions

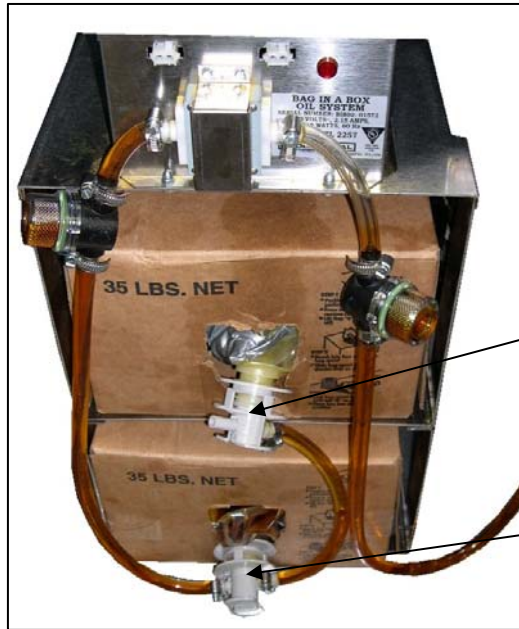
Note: 10 inch minimum clearance required between popping kettle – and fire proof wall.



### COUNTER MOUNTING REQUIREMENTS

## Setting the Amount of Popping Oil with a Gold Medal BIB System

In March 2003, we introduced the model 2257 with the E-Z Set control.



**Note:** When connecting the bag-in-box system, you must be sure to connect the bag connectors as shown in the picture to the left.

**The dead-leg connector (With only one hose connected to it) must be installed on the top box.**

**The Pass-thru connector (With two hoses connected to it) must be installed on the bottom box.**

With this system, it is not necessary to set a timer. To adjust the oil amount, follow these instructions:

Holding down the RED *Oil Dispense* push button (on the popper) while turning on the *Oil System Master* switch (on the popper), **and continuing to hold the RED *Oil Dispense* button in for 5 seconds**, puts the unit in the program mode.

When in the program mode, press and release the oil *Dispense* switch to start the oil flowing. When the correct amount of oil has been dispensed into the measuring cup, push the oil *Dispense* switch again to stop the oil flow. The oil amount can be “topped off” by pushing the oil *Dispense* switch on/off as many times as needed to finalize the oil amount. Turning the *Oil System Master* switch off and then back on puts the unit in the regular mode. The unit will now dispense the “programmed” amount of oil when the oil *Dispense* switch is pushed. The oil light will light only when the oil pump is on.

You will need to perform this procedure with the oil lines full of oil. Otherwise, you are setting both the amount of oil that goes in the kettle plus the amount of oil to fill the lines. Just fill the lines using the process above, then reset the amount as described above.

### Notes:

- Model 2257D has the capability of “remembering” two different settings for poppers with the “Salt/Sweet” option.
- For Salt/Sweet models, just put the switch in the “salt” position, and set the oil amount as described above. Then put the switch in the “sweet” position and repeat the setting procedure. The pump will remember both settings.

## Controls and Their Functions

### Oil System Master Switch

Sends power to the oil pump, either the Bucket Pump or Bag-in-a-Box models. The warmer/blower on the oil pump is activated. It may be desirable to keep this switch on at night, if you have problems keeping the coconut oil liquid. Coconut oil will congeal at temperatures below approximately 76° F [24° C].

### Salt-Sweet Switch (If Equipped)

Changes the temperature 40°F lower for the sweet option.

**Note: When making sweet corn, follow the label instructions on jar of compound “S”. (Compound “S” is available from Gold Medal Products Co. – item number 2320.)**

### “Red” Oil Dispense Momentary Switch

When pushed, will dispense the predetermined amount of oil into the kettle.

### Kettle Motor

Operates the kettle agitator motor.

### Kettle Heat Switch

Operates the heating elements in the popping kettle by supplying power to the Big Eye Electronic Temperature control board.

### Load/Dump Indicator (Yellow Light & Audible Signal )

Alerts the operator to:

1. Load the corn and oil *or*
2. Dump the popped corn from the kettle *or*
3. Turn off the kettle heat switch if they are done popping corn

## Popping Corn

1. Turn on Kettle heat, Motor, and Oil system master switches.
2. When popping with coconut oil, be sure the oil is liquid. Dispense oil into a measuring cup first to ensure proper oil amount. See page 5 for setting oil pump.
3. When the kettle is ready (about 5-8 minutes), the Yellow Light and Audible Signal will turn on. Lift the kettle lid and pour in corn (use the supplied corn cup) and Flavacol, (use supplied scoop as well)
4. Press the RED oil pump button. The proper amount of oil is pumped into the kettle. The Light and Signal will turn off.
5. When the popcorn has completed popping, the Light and Signal will turn on. Dump the Popcorn.
6. On the final kettle of corn, turn the "KETTLE HEAT" switch off, just as the lid are forced open by the popping corn. Turning the kettle heat switch off allows the heat to dissipate as the final batch is popped. (This results in less smoke on the last batch.)
7. **Note: When making sweet corn, follow the label instructions on jar of compound "S". (Compound "S" is available from Gold Medal Products Co. – item number 2320.)**

### Remember:

If the Yellow Load - Dump light is turned on and the Signal is sounding *one of the* following actions should be taken:

1. Load the corn and oil *or*
2. Dump the popped corn from the kettle *or*
3. Turn off the kettle heat switch if you are done popping corn

When you are finished popping, make sure "KETTLE HEAT" and "KETTLE MOTOR" switches are turned "OFF".

**NEVER LEAVE THE HEAT ON WHEN YOU ARE NOT POPPING!**

## Cleaning Instructions



### Daily: Clean the Kettle

1. As you pop corn, wipe the kettle with a clean cloth. It is easy to keep the outside clean when the kettle is warm and the oil is not baked on. **CAUTION:** The hot kettle will cause burns if you touch it with your hand.
2. Every night, mix Heat'n Kleen solution (Gold Medal item number 2095) - 2 tablespoons per gallon of water. **Do not use the entire gallon at once.** Only use enough to fill the kettle a ½" deep. Turn on the kettle heat. When the water starts to boil, turn off the heat and let it work overnight.
3. The next morning, dump the solution into a bucket and wipe the inside of the kettle with a cloth.




	<b>⚠ DANGER</b>
	<p>Machine must be properly grounded to prevent electrical shock to personnel.</p> <p>Do NOT immerse the kettle, warmer, or any other part of this equipment in water.</p> <p>Always unplug the equipment before cleaning or servicing.</p>

## Clean the Popcorn Machine

1. Wipe the stainless steel parts with a clean cloth and cleaner designed for stainless steel, such as Gold Medal's Watchdog stainless steel cleaner (item #2088CN). **Do not use oven cleaners, as they will damage parts of the machine.**



# MAINTENANCE INSTRUCTIONS

	<p style="text-align: center;"><b>⚠ DANGER</b></p> <p>Do NOT immerse the equipment in water. Unplug your machine before servicing.</p>
	<p style="text-align: center;"><b>⚠ WARNING</b></p> <p>Adequate eye protection must be used when servicing this equipment to prevent the possibility of injury.</p>
	<p style="text-align: center;"><b>⚠ CAUTION</b></p> <p>THE FOLLOWING SECTIONS OF THIS MANUAL ARE INTENDED ONLY FOR QUALIFIED SERVICE PERSONNEL WHO ARE FAMILIAR WITH ELECTRICAL EQUIPMENT. THESE ARE NOT INTENDED FOR THE OPERATOR.</p>

## Electronic Temperature Control

### Operation

The control is factory set to 460F, which stops power to the kettle when the thermocouple reaches setpoint. On the Cornado machine, this is also the ideal point to dump the popped corn out of the kettle. On the first start-up this is also the ideal time to load the corn and oil. Therefore if the kettle heat switch is turned on and the buzzer is sounding *one of the* following actions should be taken:

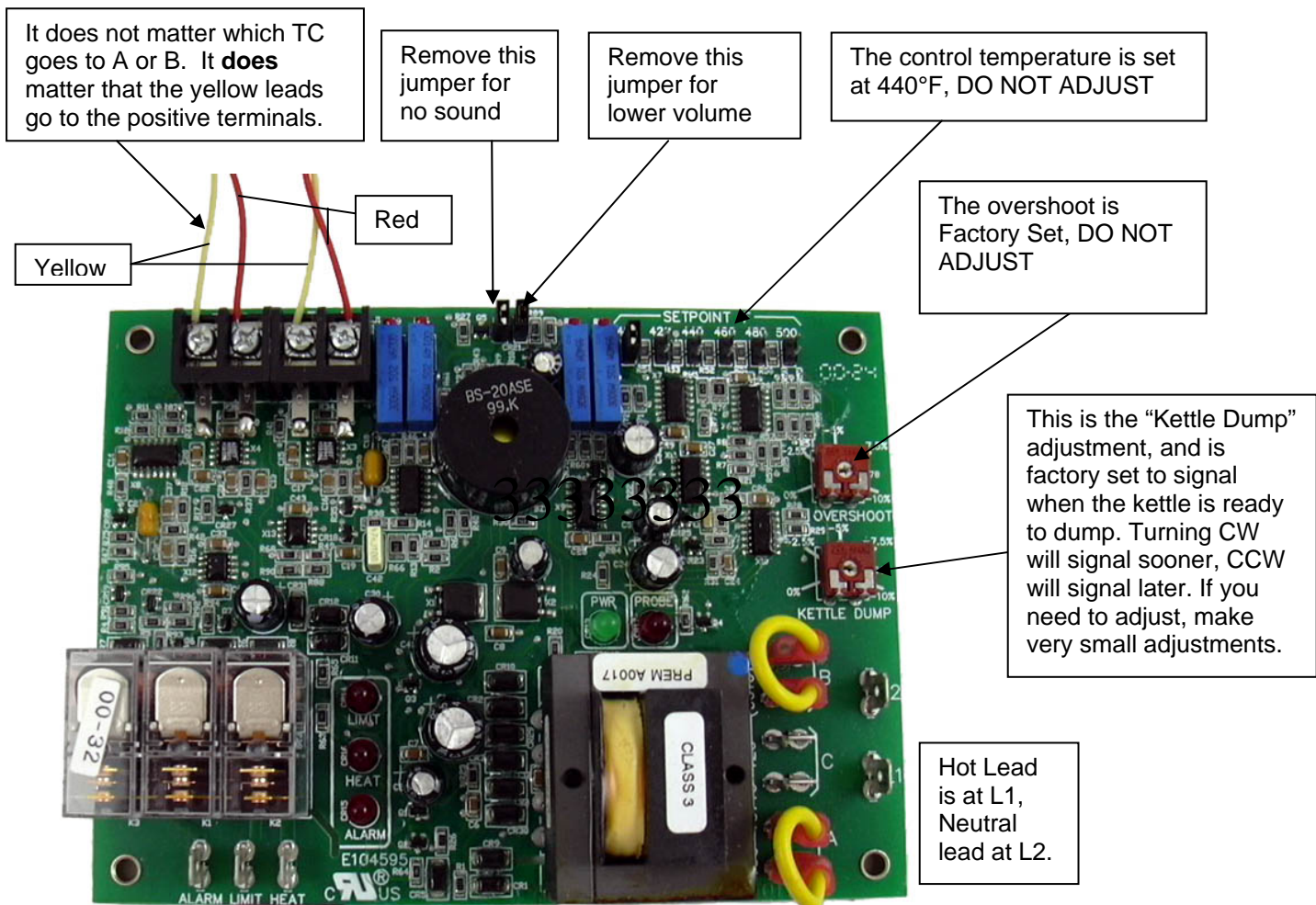
- Load the corn and oil *or*
- Dump the popped corn from the kettle *or*
- Turn off the kettle heat switch if you are finished popping corn.

### Adjustment of Electronic Control

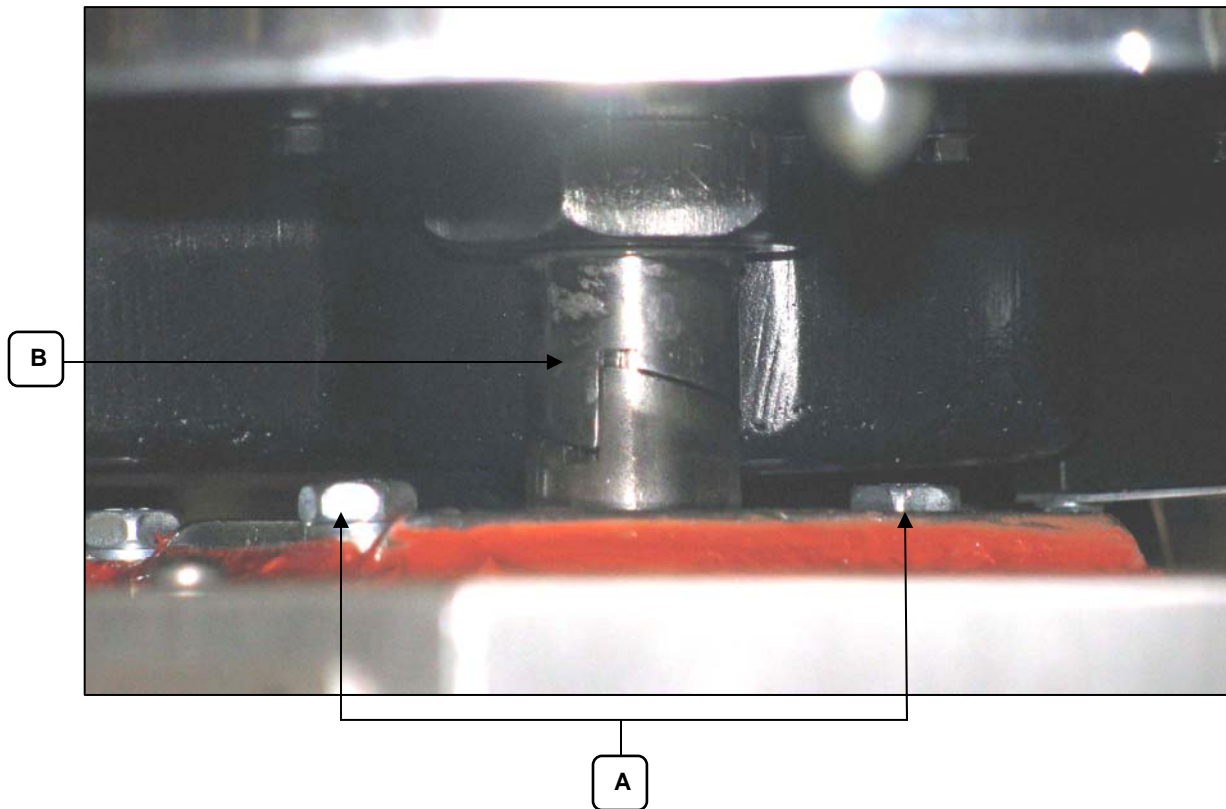
The Cornado has an electronic kettle control with 2 thermocouples, one for control and one for limit. There are no mechanical thermostats in this kettle.

There are (4) factory adjustments on the control:

1. Control temperature – **do not** adjust this one
2. Signal to dump – If you want the signal to dump to be a little sooner or later you can adjust the potentiometer marked “kettle dump”. CW is sooner, CCW is later.
3. The patented overshoot circuit is tuned for the kettle, **do not** adjust this potentiometer.
4. The audible signal to dump has three options; full volume, half volume, no sound (just the yellow light). Adjustments are by jumper positions. We ship full volume.



## Kettle Drive Shaft Alignment



To adjust the lower agitator shaft, loosen the two hex bolts for the adjusting plate. (Figure A) (It may be necessary to use a socket/wrench on the hex nuts located underneath/inside the pedestal.) Adjust the plate back and forth, and side-to-side, as necessary – until the lower shaft lines up with the upper shaft in the kettle. It’s important to have the two shafts aligned with one another, and that the two shafts do not “bind” when the kettle is dumped. (Figure B) Once aligned properly, re-tighten the two bolts on the adjusting plate.

# ORDERING SPARE PARTS

**\* Always speak to a Gold Medal Products Technical Service Advisor before ordering any parts to help ensure accuracy for your product. Included diagrams may not be the latest information.**

1. Identify the needed part by checking it against the photos, illustrations, and/or parts list.
2. When ordering, please include part number, part name, and quantity needed.
3. Please include your model number, serial number, and date of manufacture (located on the machine nameplate) with your order.
4. Address all parts orders to:

Parts Department  
Gold Medal Products Co.  
10700 Medallion Drive  
Cincinnati, Ohio 45241-4807

Or, place orders by phone or online:

(800) 543-0862

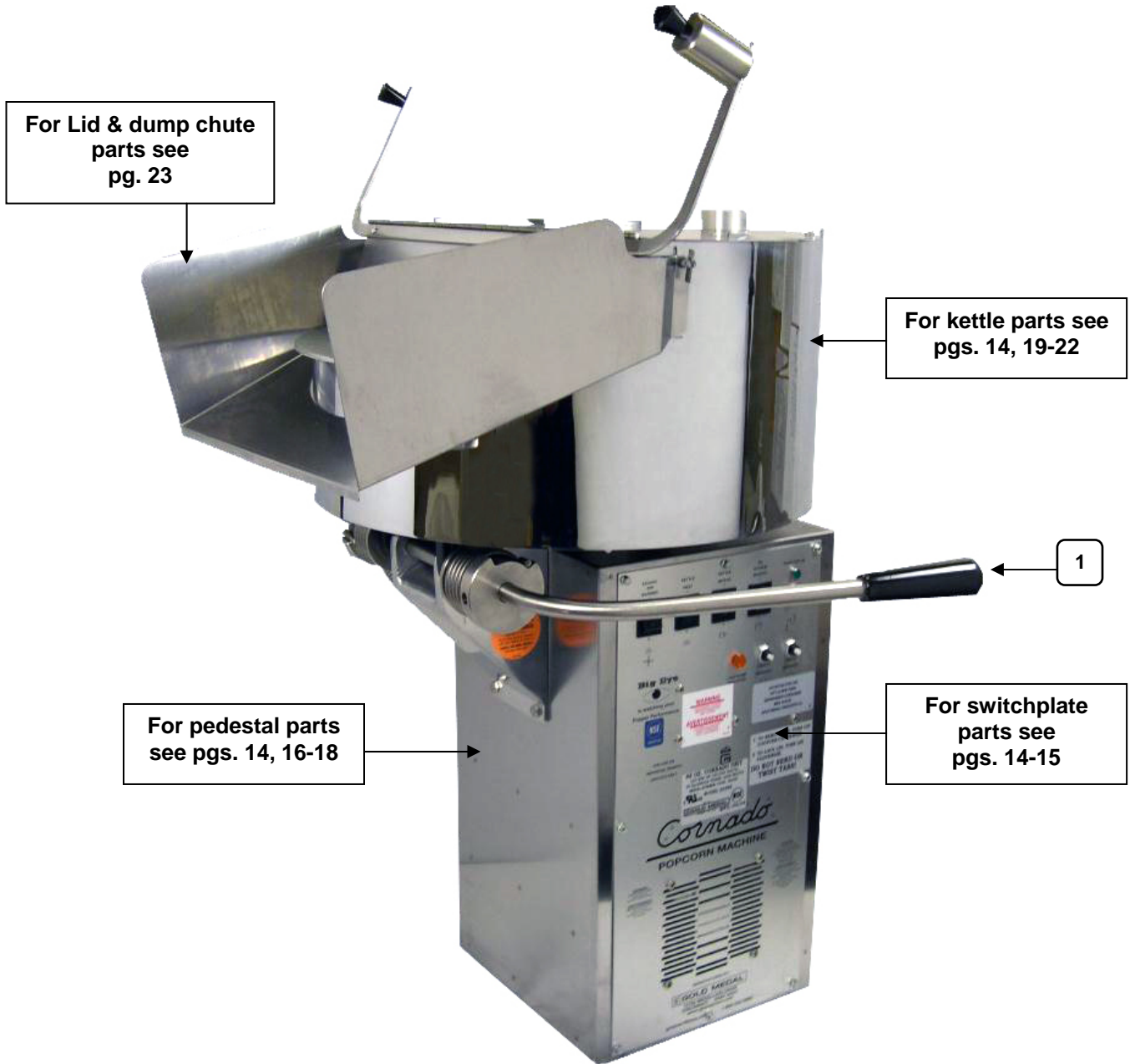
(513) 769-7676

Fax: (513) 769-8500

E-mail: [info@gmpopcorn.com](mailto:info@gmpopcorn.com)

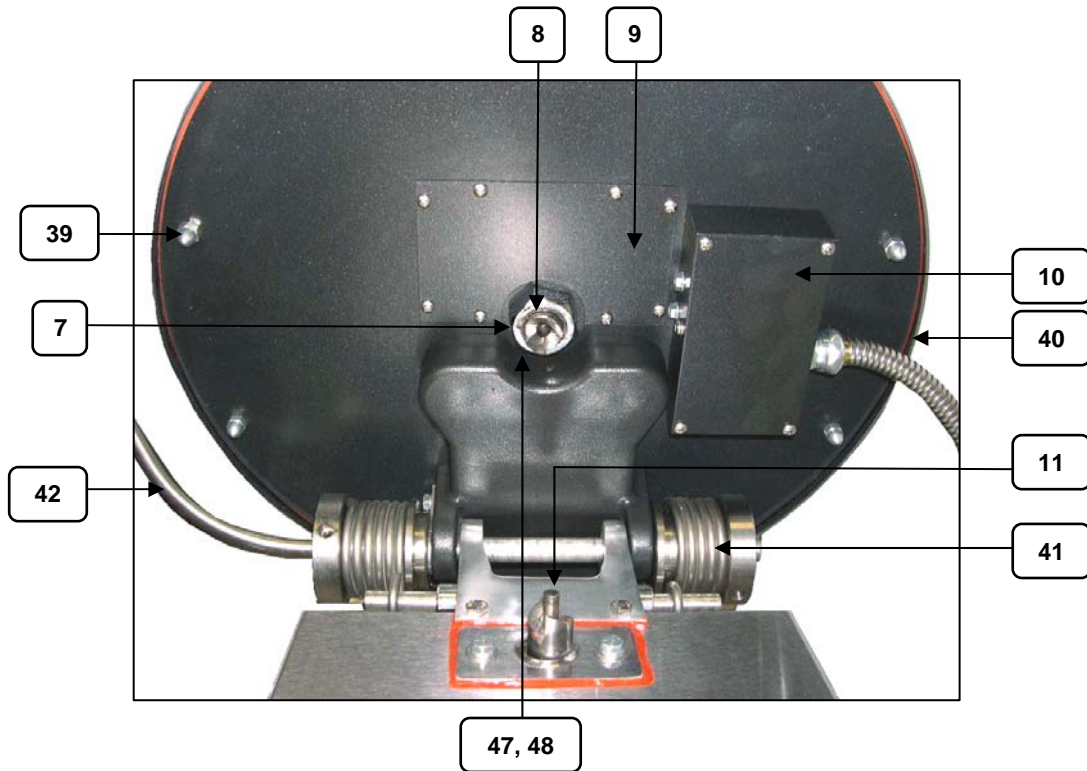
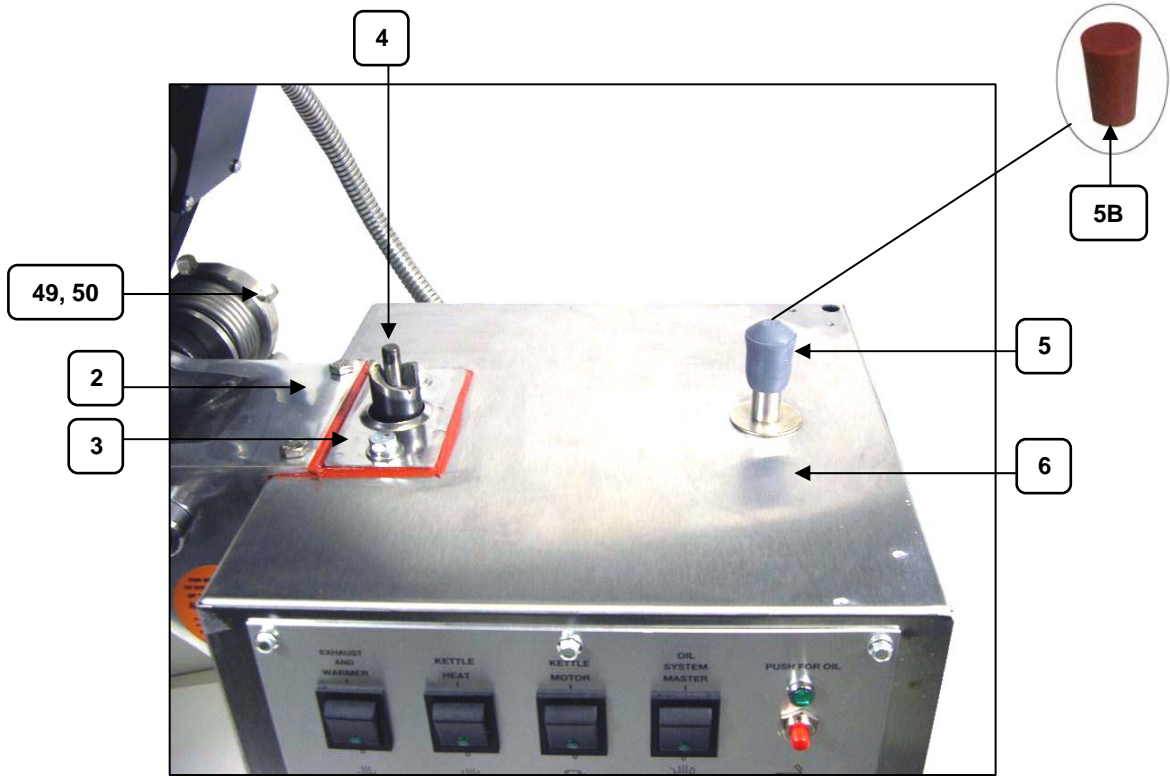
Web Page: [www.gmpopcorn.com](http://www.gmpopcorn.com)

# Parts Breakdown 36, 48 & 60 Oz. Units

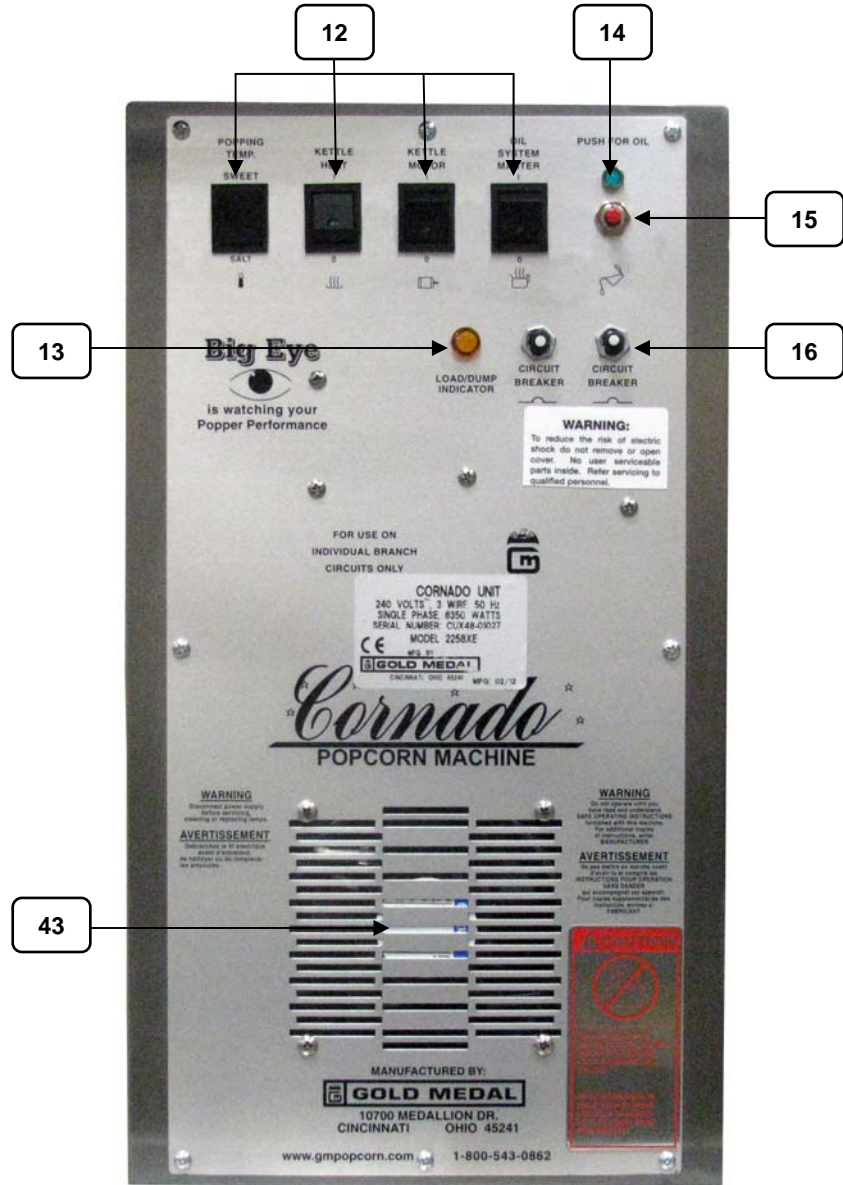




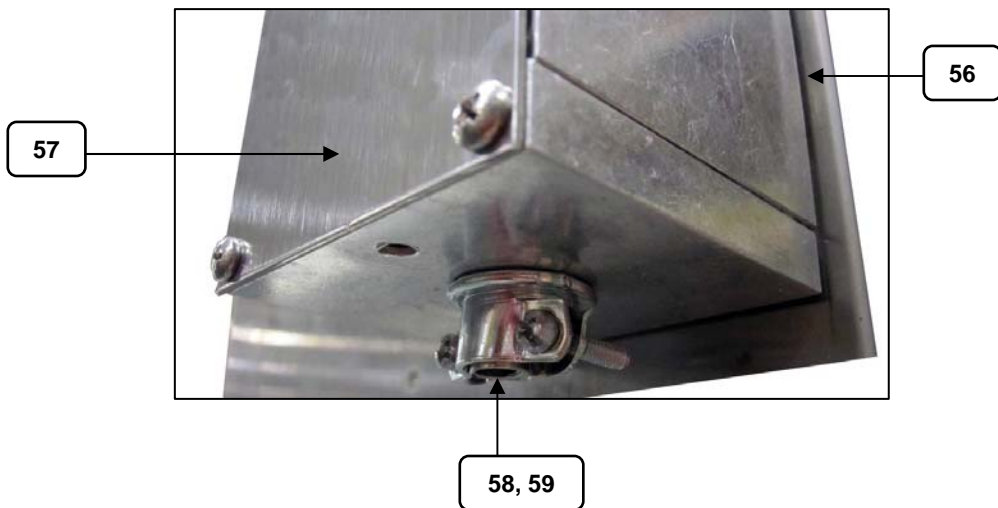
# Parts – Continued



# Switchplate - Parts

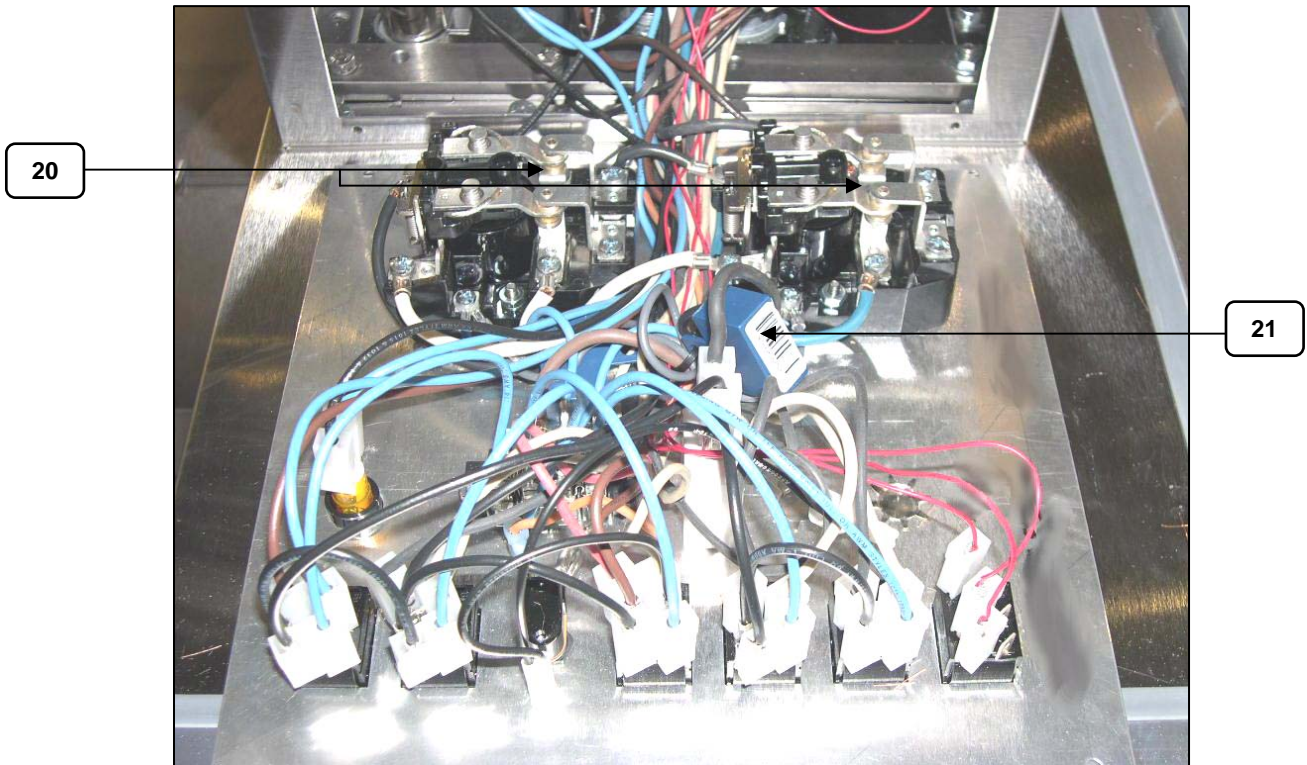
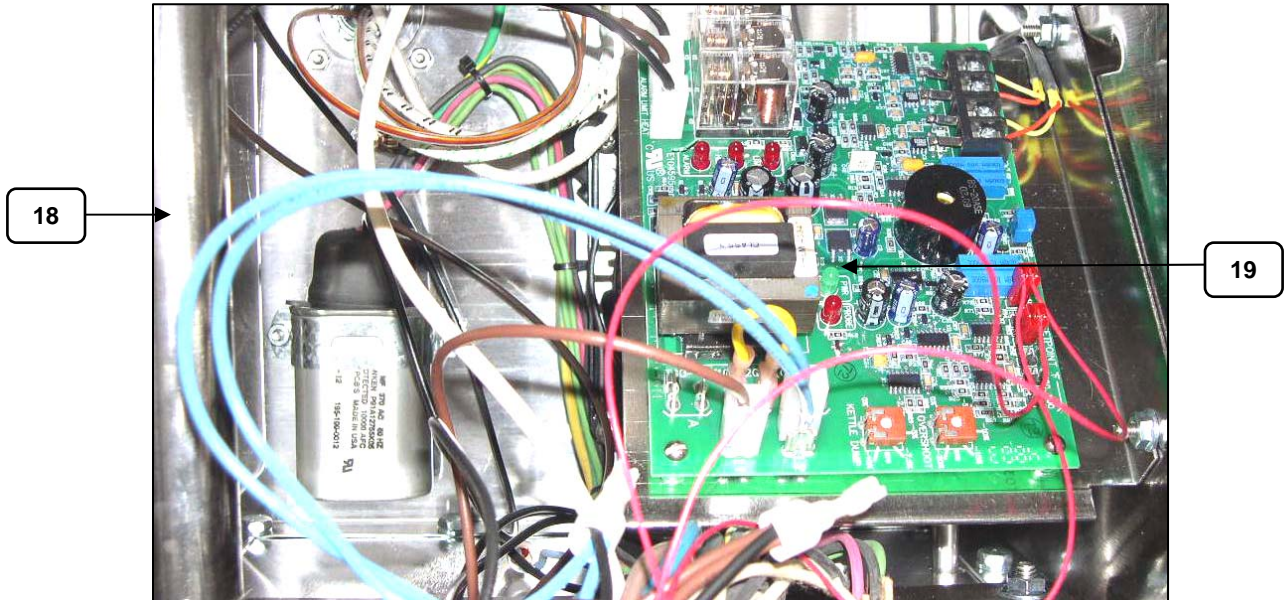


# Heated Oil Line (60 oz. Only) – P/N 17895

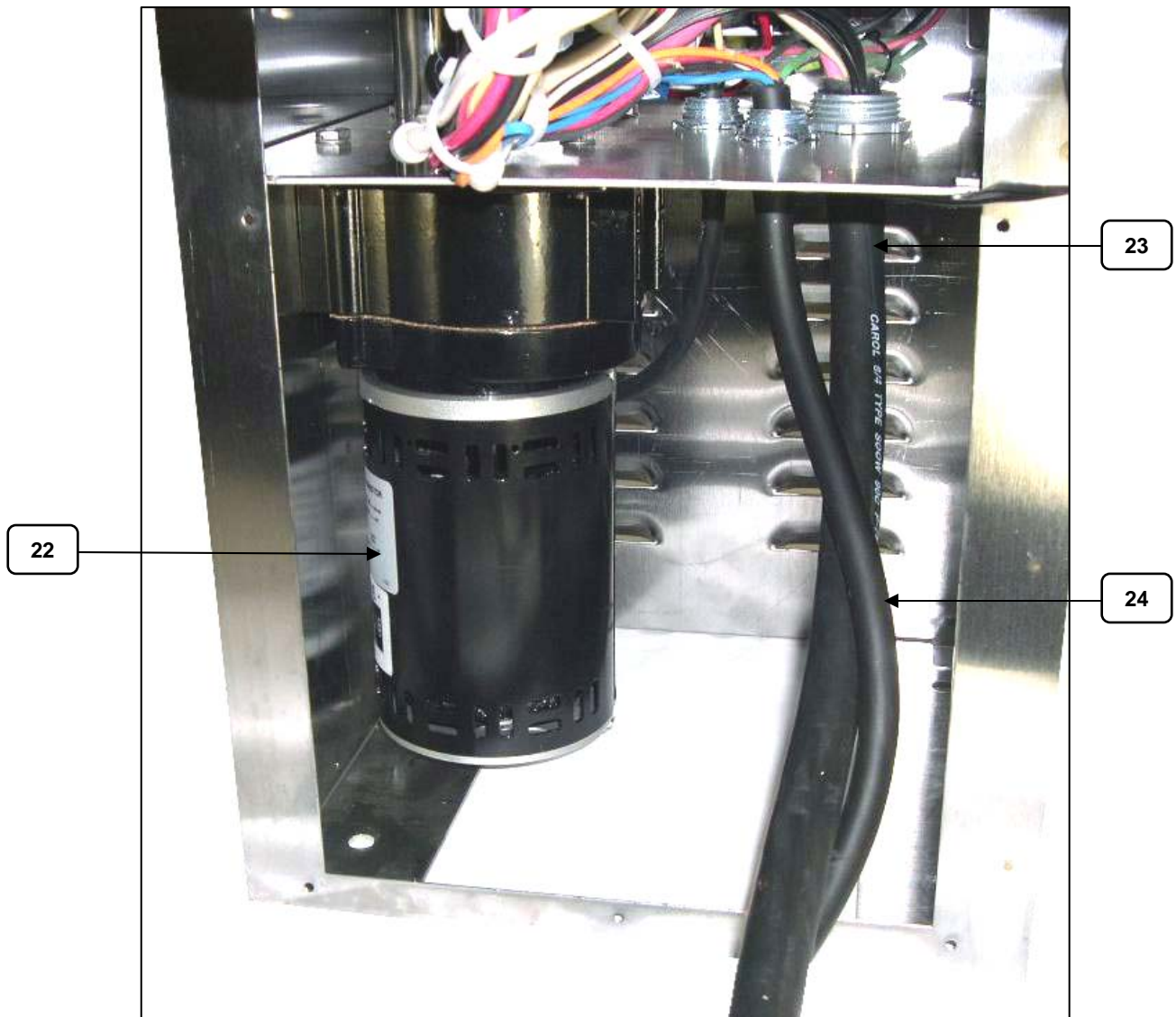




## Inside Pedestal - Parts

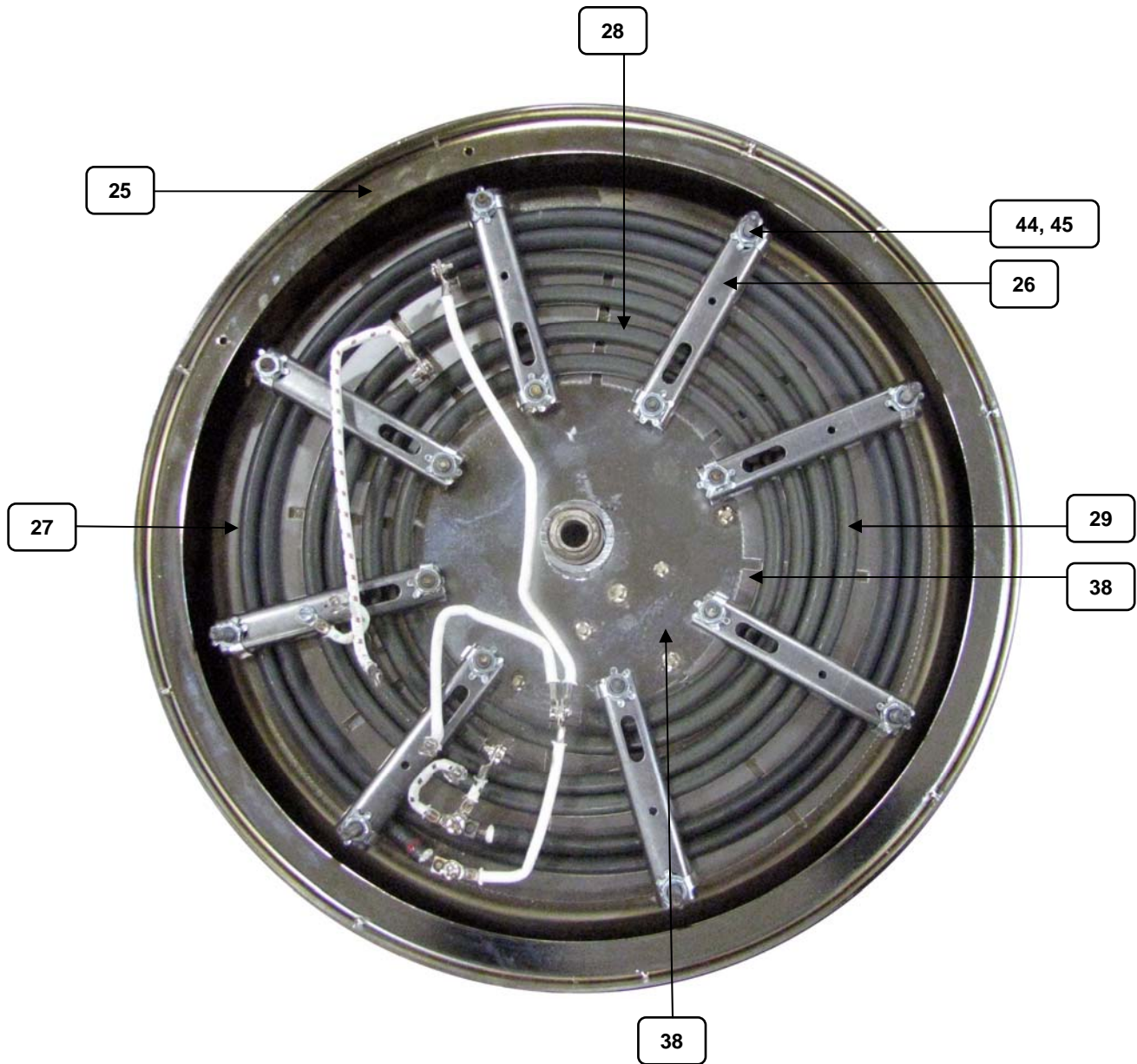


## Inside Pedestal – Parts (Continued)

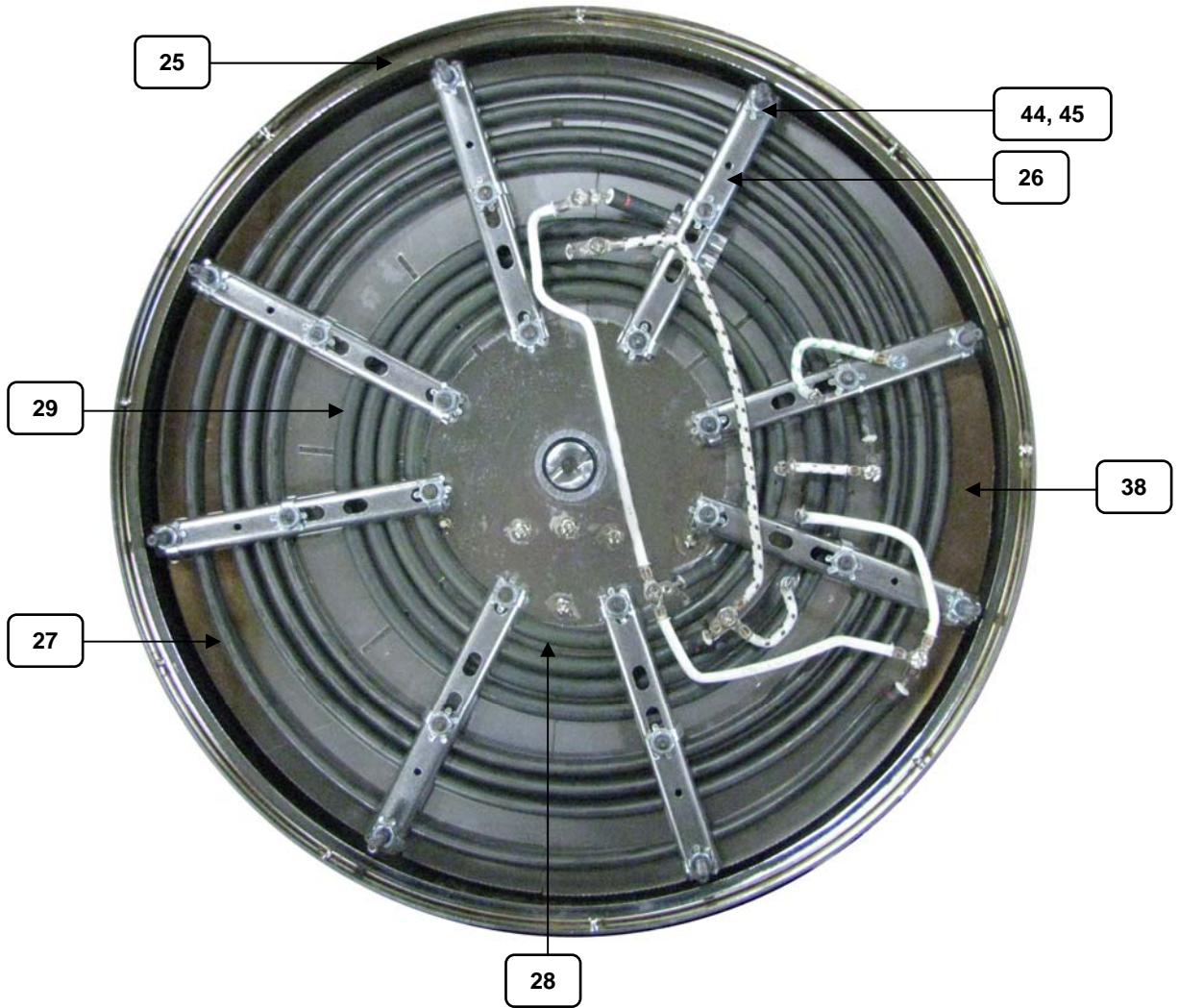




# Kettle - Parts (36 oz.) Complete Assy. P/N 83287E

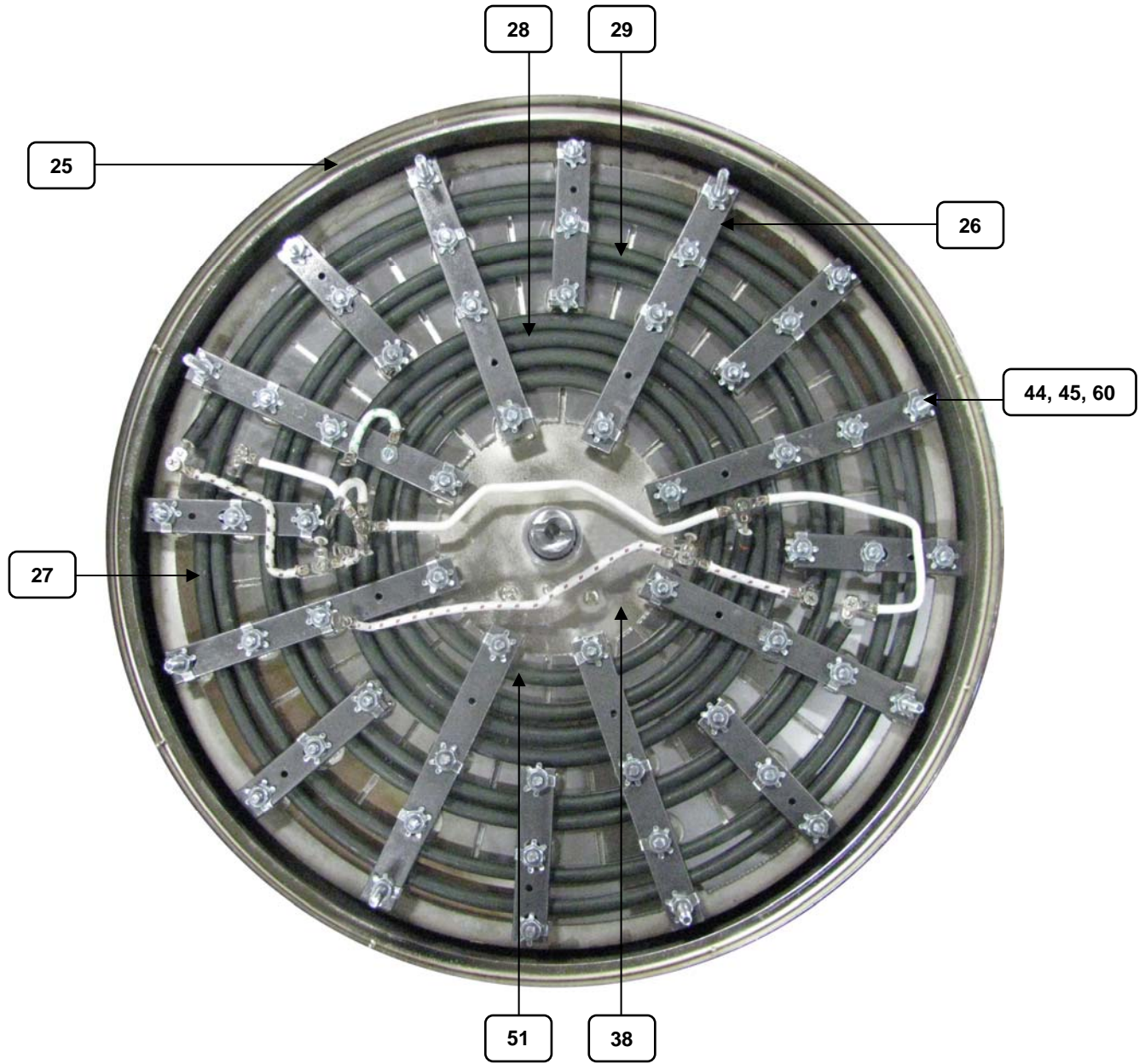


# Kettle - Parts (48 oz.) Complete Assy. P/N 83288E

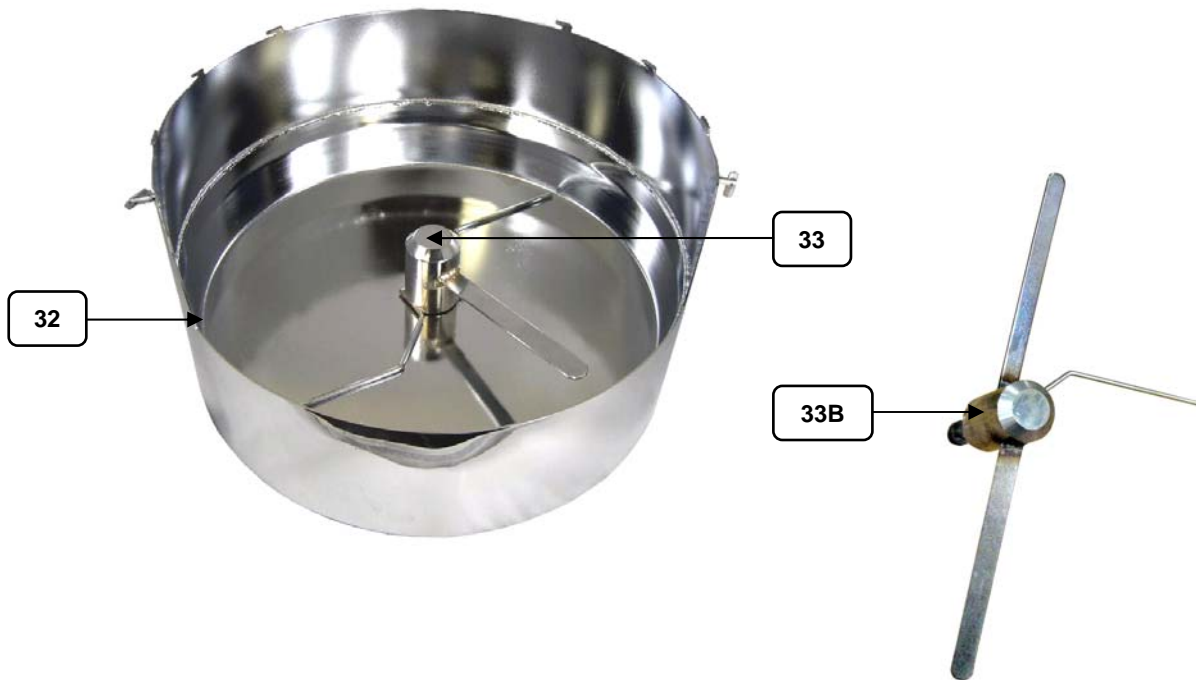
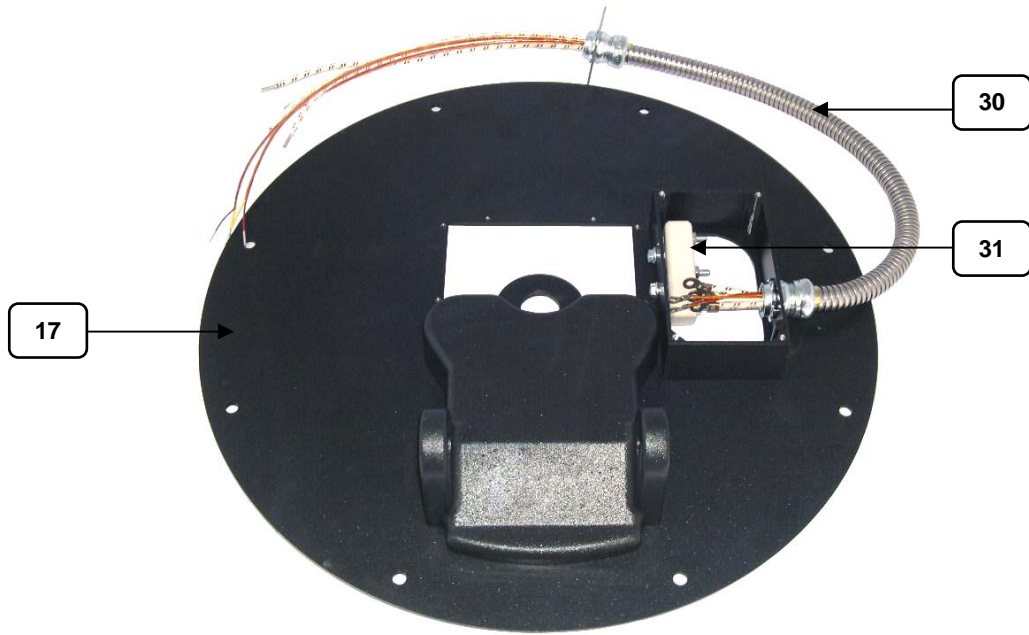




# Kettle – Parts (60 oz.) Complete Assy. P/N 83319E



# Kettle – Parts (Continued)



# Kettle – Parts (Continued)



## 36 oz. Parts List

Item #	Description	2146E	2146EC	2146ES	2149E	2149EC	2149ECP
1	Plastic Handle	57028	57028	57028	57028	57028	57028
2	Kettle Mount Bracket	82550	82550	82550	82550	82550	82550
3	Adjusting Plate*	82099	82099	82099	82099	82099	82099
4	Lower Shaft Assy.	82496	82041	82496	82496	82041	82041
5	Kettle Rest Crutch Tip	82911	82911	82911	82911	82911	82911
5B	Kettle Rest Crutch Tip	83110	83110	83110	83110	83110	83110
6	Pedestal Weld Assy.	82498	83546	82498	82449	83545	83548
7	Hex Jam Nut	82137	82137	82137	82137	82137	82137
8	Agitator Shaft	83287	83287	83287	83287	83287	83287
9	Thermostat Cover	83267	83267	83267	83267	83267	83267
10	Junction Box Cover	83262	83262	83262	83262	83262	83262
11	Pivot Casting	83281	83281	83281	83281	83281	83281
12	Lighted Rocker Switch	42798	42798	42798	42798	42798	42798
13	Amber Pilot Light	55039	55039	55039	55039	55039	55039
14	Green Pilot Light	48660	48660	48660	48660	48660	48660
15	Oil Pump Switch	41031	41031	41031	41031	41031	41031
16	15 Amp Circuit Breaker	47364	47364	47364	47364	47364	47364
17	Kettle Base Plate	83258	83258	83258	83258	83258	83258
18	Shaft Shield	82541	82072	82541	82541	82072	82072
19	Temperature Control	41001	41001	41001	41001	41001	41001
20	120V Relay	46081	46081	46081	46081	46081	46081
21	240V Transient Filter	89087	89087	89087	89087	89087	89087
22	120V Kettle Drive Motor	82085R	82085R	82085R	82085R	82085R	82085R
23	Power Supply Cord W/Plug	82209	82209	82209	82209	82209	82209
24	Oil Pump Wire Harness	41499	41499	41499	41499	41499	41499
25	36 oz. Kettle Gasket	83279	83279	83279	83279	83279	83279

**\* Includes the following parts:**

Agitator Seal P/N 79437  
 Flat Plate P/N 82328  
 Formed Plate P/N 83300



## 36 oz. Parts List (Continued)

Item	Description	2146E	2146EC	2146ES	2149E	2149EC	2149ECP
26	Element Clamp	82320	82320	82320	82320	82320	82320
27	120V / 1350W Heat Element	82318	82318	82318	82318	82318	82318
28	120V / 1250W Heat Element	48801	48801	48801	48801	48801	48801
29	120V / 1800W Heat Element	48650	48650	48650	48650	48650	48650
30	Kettle Lead Assy	55314	55314	55314	55314	55314	55314
31	Terminal Block	41129	41129	41129	41129	41129	41129
32	Kettle Welded Assy.	83256	83256	83256	83256	83256	83256
33	36 oz. Agitator Assy.	83292	83292	83292	83292	83292	83292
34	Kettle Lid - Right Hand	83044	83044	83044	83044	83044	83044
	Kettle Lid - Left Hand	83044L	83044L	83044L	83044L	83044L	83044L
35	Knob	47120	47120	47120	47120	47120	47120
36	Counter Weight	82108	82108	82108	82108	82108	82108
37	Dump Chute	82636	82636	82636	82636	82636	82636
38	Heat Transfer Plate	82426	82426	82426	82426	82426	82426
39	Acorn Nut (x8)	49068	49068	49068	49068	49068	49068
40	Junction Box Gasket	40965	40965	40965	40965	40965	40965
41	Torsion Spring (x2)	74660	74660	74660	74660	74660	74660
42	Dump Handle	82253	82253	82253	82253	82253	82253
43	Exhaust Blower	48018	48018	48018	48018	48018	48018
44	Nut Retainer (x16)	50190	50190	50190	50190	50190	50190
45	Hex Nut (x16)	74133	74133	74133	74133	74133	74133
46	Spring Catch	68108	68108	68108	68108	68108	68108
47	Thrust Washer 1/32"	67852	67852	67852	67852	67852	67852
48	Thrust Washer 1/16"	67583	67583	67583	67583	67583	67583
49	Set Collar (x2)	47326	47326	47326	47326	47326	47326
50	Set Screw 5/16-18x1¼" (x4)	40785	40785	40785	40785	40785	40785

## 48 oz. Parts List

Item	Description	2258E	2258EC	2258EL	2258ELC	2258ES	2258ESL
1	Plastic Handle	57028	57028	57028	57028	57028	57028
2	Kettle Mount Bracket	82550	82550	82550	82550	82550	82550
3	Adjusting Plate*	82099	82099	82099	82099	82099	82099
4	Lower Shaft Assy.	82496	82041	82496	82041	82496	82496
5	Kettle Rest Crutch Tip	82911	82911	82911	82911	82911	82911
5B	Kettle Rest Crutch Tip	83110	83110	83110	83110	83110	83110
6	Pedestal Weld Assy.	82449	82545	82498	83546	82449	82498
	Pedestal Weld Assy. LH	82498	82498	82498	82498	82498	82498
7	Hex Jam Nut	82137	82137	82137	82137	82137	82137
8	Agitator Shaft	83287	83287	83287	83287	83287	83287
9	Thermostat Cover	83267	83267	83267	83267	83267	83267
10	Junction Box Cover	83262	83262	83262	83262	83262	83262
11	Pivot Casting	83281	83281	83281	83281	83281	83281
12	Lighted Rocker Switch	42798	42798	42798	42798	42798	42798
13	Amber Pilot Light	55039	55039	55039	55039	55039	55039
14	Green Pilot Light	48660	48660	48660	48660	48660	48660
15	Oil Pump Switch	41031	41031	41031	41031	41031	41031
16	15 Amp Circuit Breaker	47364	47364	47364	47364	47364	47364
17	Kettle Base Plate	83264	83264	83264	83264	83264	83264
18	Shaft Shield	82541	82072	82541	82072	82541	82541
19	Temperature Control	41001	41001	41001	41001	41001	41001
20	120V Relay	46081	46081	46081	46081	46081	46081
21	240V Transient Filter	89087	89087	89087	89087	89087	89087
22	120V Kettle Drive Motor	82085R	82085R	82085R	82085R	82085R	82085R
23	Power Supply Cord W/Plug	82260	82260	82260	82260	82260	82260
24	Oil Pump Wire Harness	41499	41499	41499	41499	41499	41499
25	48 oz. Kettle Gasket	83280	83280	83280	83280	83280	83280

**\* Includes the following parts:**

Agitator Seal P/N 79437  
Flat Plate P/N 82328  
Formed Plate P/N 83300

## 48 oz. Parts List (Continued)

Item	Description	2258E	2258EC	2258EL	2258ELC	2258ES	2258ESL
26	Element Clamp	82595	82595	82595	82595	82595	82595
27	120V / 3500W Element	82597	82597	82597	82597	82597	82597
28	120V / 1050W Element	48651	48651	48651	48651	48651	48651
29	120V / 1500W Element	48800	48800	48800	48800	48800	48800
30	Kettle Lead Assy.	55314	55314	55314	55314	55314	55314
31	Terminal Block	41129	41129	41129	41129	41129	41129
32	Kettle Welded Assy.	83265	83265	83265	83265	83265	83265
33	48 oz. Agitator Assy.	83293	83293	83293	83293	83293	83293
34	Kettle Lid Assy. Complete	83046	83046	83046	83046	83046	83046
35	Knob	47120	47120	47120	47120	47120	47120
36	Counter Weight	82108	82108	82108	82108	82108	82108
37	Dump Chute	82830	82830	82830	82830	82830	82830
38	Heat Transfer Plate	82594	82594	82594	82594	82594	82594
39	Acorn Nut (x8)	49068	49068	49068	49068	49068	49068
40	Junction Box Gasket	40965	40965	40965	40965	40965	40965
41	Torsion Spring (x2)	74660	74660	74660	74660	74660	74660
42	Dump Handle	82253	82253	82253	82253	82253	82253
43	Exhaust Blower	48018	48018	48018	48018	48018	48018
44	Nut Retainer (x16)	50190	50190	50190	50190	50190	50190
45	Hex Nut (x16)	74133	74133	74133	74133	74133	74133
46	Spring Catch	68108	68108	68108	68108	68108	68108
47	Thrust Washer 1/32"	67852	67852	67852	67852	67852	67852
48	Thrust Washer 1/16"	67853	67853	67853	67853	67853	67853
49	Set Collar (x2)	47326	47326	47326	47326	47326	47326
50	Set Screw 5/16-18x1¼" (x4)	40785	40785	40785	40785	40785	40785

## 60 oz. Parts List

Item	Description	2297E	2297EL	2297ES	2297ELS
1	Plastic Handle	57028	57028	57028	57028
2	Kettle Mount Bracket	82550	82550	82550	82550
3	Adjusting Plate*	82099	82099	82099	82099
4	Lower Shaft Assy.	82496	82496	82496	82496
5	Kettle Rest Crutch Tip	82911	82911	82911	82911
5B	Kettle Rest Crutch Tip	83110	83110	83110	83110
6	Pedestal Weld Assy.	82449	82498	82449	82498
	Pedestal Weld Assy. LH	82498	82498	82498	82498
7	Hex Jam Nut	82137	82137	82137	82137
8	Agitator Shaft	83287	83287	83287	83287
9	Thermostat Cover	83267	83267	83267	83267
10	Junction Box Cover	41296	41296	41296	41296
11	Pivot Casting	83281	83281	83281	83281
12	Lighted Rocker Switch	42798	42798	42798	42798
13	Amber Pilot Light	55039	55039	55039	55039
14	Green Pilot Light	48660	48660	48660	48660
15	Oil Pump Switch	41031	41031	41031	41031
16	15 Amp Circuit Breaker	47364	47364	47364	47364
17	Kettle Base Plate	83302	83302	83302	83302
18	Shaft Shield	82541	82541	82541	82541
19	Temperature Control	41001	41001	41001	41001
20	120V Relay	46081	46081	46081	46081
21	240V Transient Filter	89087	89087	89087	89087
22	120V Kettle Drive Motor	82085R	82085R	82085R	82085R
23	Power Supply Cord W/Plug	82260	82260	82260	82260
24	Oil Pump Wire Harness	41499	41499	41499	41499
25	60 oz. Kettle Gasket	83315	83315	83315	83315

\* Includes the following parts:

Agitator Seal P/N 79437

Flat Plate P/N 82328

Formed Plate P/N 83300

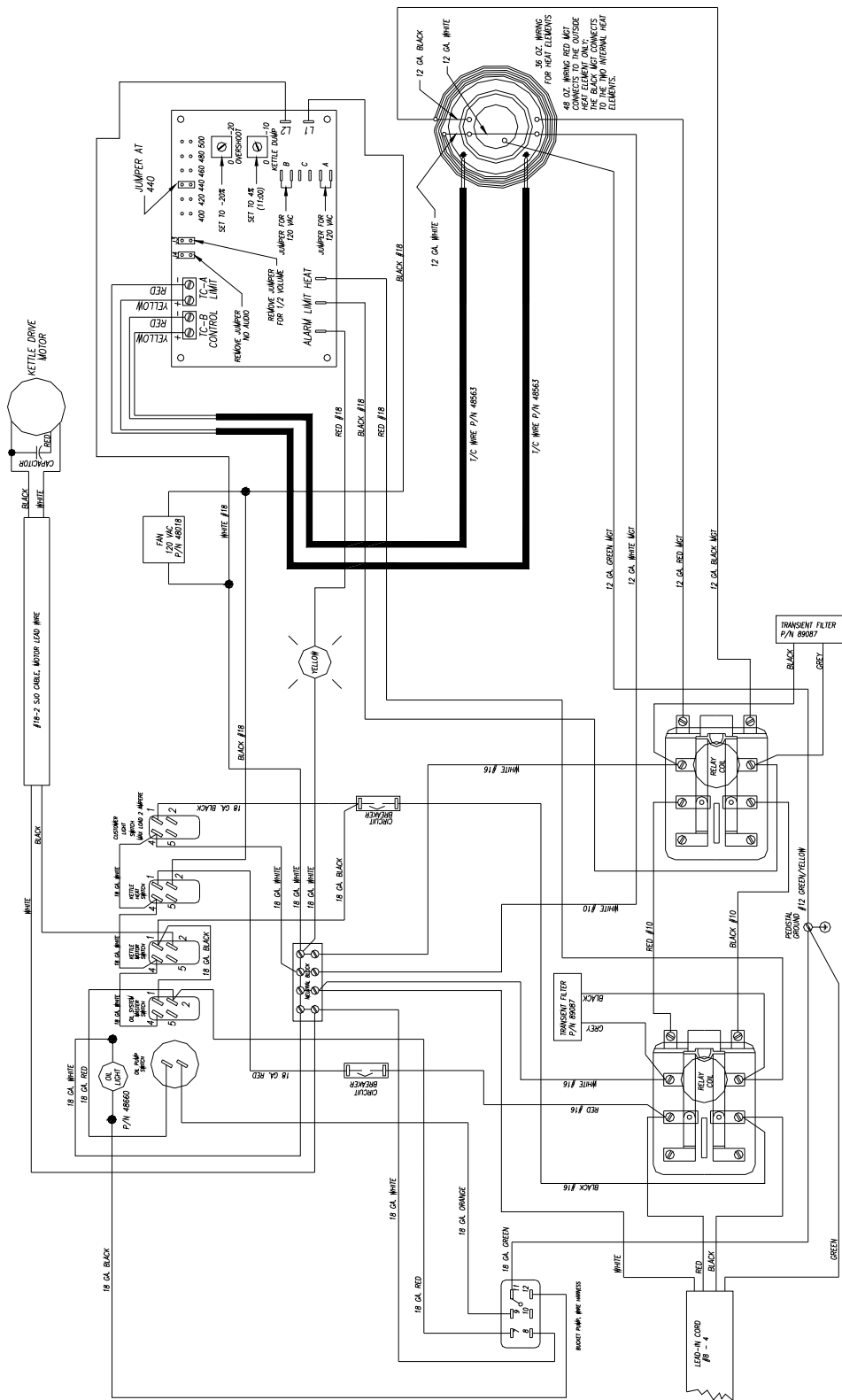
## 60 oz. Parts List (Continued)

Item	Description	2297E	2297EL	2297ES	2297ELS
26	Element Clamp (Short x8)	83316	83316	83316	83316
	Element Clamp (Long x8)	83317	83317	83317	83317
27	120V / 2300W Element	68052	68052	68052	68052
28	120V / 1050W Element	48651	48651	48651	48651
29	120V / 1850W Element	68051	68051	68051	68051
30	Kettle Lead Assy.	55314	55314	55314	55314
31	Terminal Block	41129	41129	41129	41129
32	Kettle Welded Assy.	83301	83301	83301	83301
33B	60 oz. Agitator Assy.	17668	17668	17668	17668
34	Kettle Lid Assy. Complete	83320	83320	83320	83320
35	Knob	47120	47120	47120	47120
36	Counter Weight	82108	82108	82108	82108
37	Dump Chute	83304	83304	83304	83304
38	Heat Transfer Plate	68053	68053	68053	68053
39	Acorn Nut (x8)	49068	49068	49068	49068
40	Junction Box Gasket	40965	40965	40965	40965
41	Torsion Spring (x2)	74660	74660	74660	74660
42	Dump Handle	82253	82253	82253	82253
43	Exhaust Blower	48018	48018	48018	48018
44	Nut Retainer (x16)	50190	50190	50190	50190
45	Hex Nut (x16)	74133	74133	74133	74133
46	Spring Catch	68108	68108	68108	68108
47	Thrust Washer 1/32"	67852	67852	67852	67852
48	Thrust Washer 1/16"	67853	67853	67853	67853
49	Set Collar (x2)	47326	47326	47326	47326
50	Set Screw 5/16-18x1¼" (x4)	74662	74662	74662	74662
51	500W Heat Element	68106	68106	68106	68106
52	Oil Delivery Tube	17889	17889	17889	17889
	LH Oil Delivery Tube	17663	17663	17663	17663
53	Spout Set Collar	17891	17891	17891	17891
54	Tygon R3400 Tubing*	17893	17893	17893	17893
55	16W Foil Heat Element	17898	17898	17898	17898
56	Junction Box Gasket	40963	40963	40963	40963
57	Top Lid	17899	17899	17899	17899
58	Strain Relief	76026	76026	76026	76026
59	26" SS Tube (Not Shown)	17900	17900	17900	17900
60	Acorn Nut 1/4-20	49068	49068	49068	49068

\*Goes over element

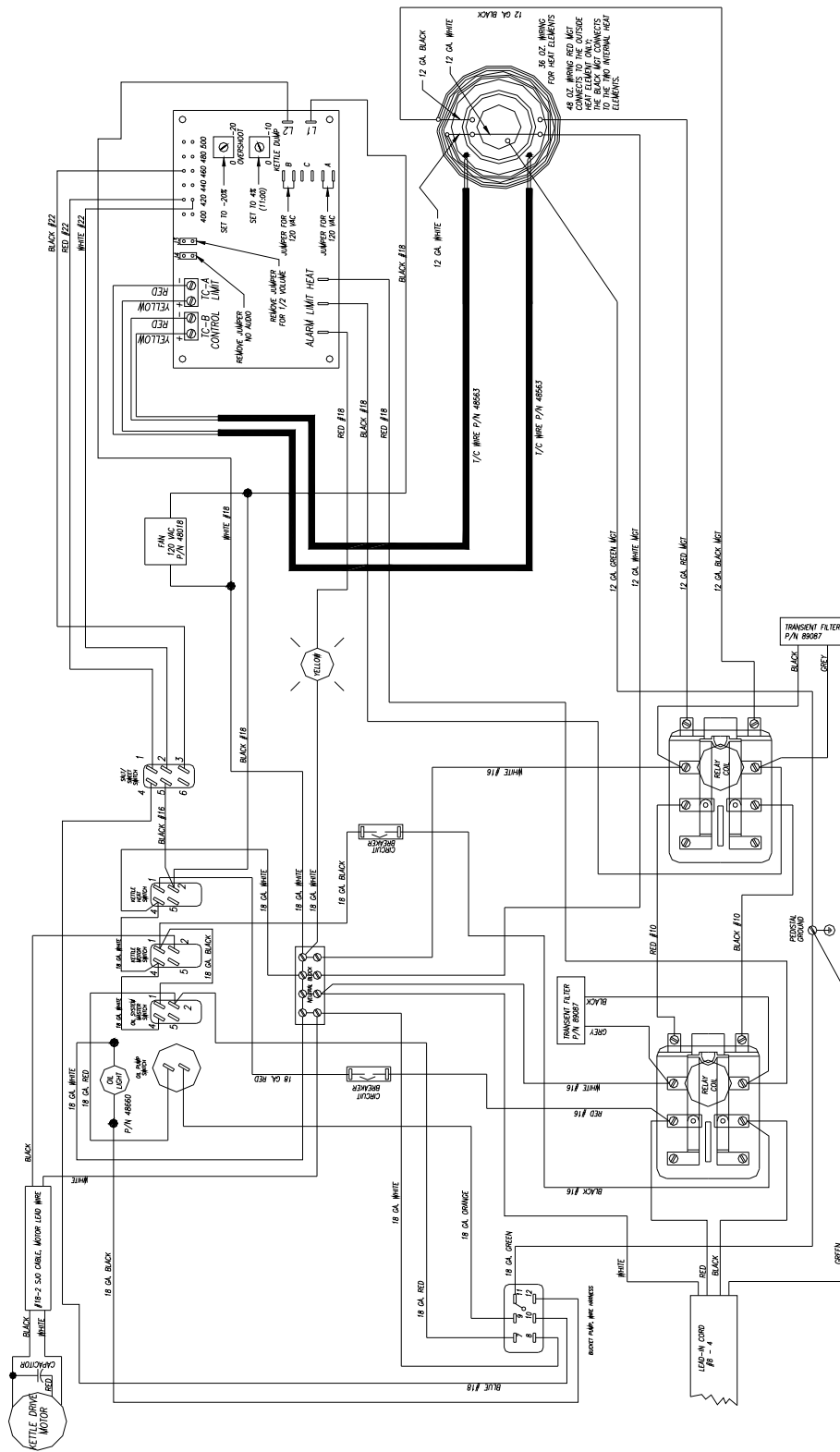
# Electrical Schematic

For Models: 2146E-EC-ES, 2149E-EC, 2258E-2258EC-2258EL-2258ELC & ESL



# Electrical Schematic

For Model: 2258ES







# WARRANTY

WE WARRANT to the original purchaser the Gold Medal equipment sold by us to be free from defects in material or workmanship under normal use and service. Our obligation under this warranty shall be limited to the repair or replacement of any defective part for a period of six (6) months from the date of sale to the Original Purchaser with regard to labor and two (2) years with regard to parts and does not cover damage to the equipment caused by accident, alteration, improper use, voltage, abuse, or failure to follow instructions.

THIS WARRANTY IS IN LIEU OF ALL OTHER WARRANTIES EXPRESSED OR IMPLIED, AND OF ALL OTHER OBLIGATIONS OR LIABILITIES ON OUR PART, INCLUDING THE IMPLIED WARRANTY OF MERCHANTABILITY. THERE ARE NO WARRANTIES WHICH EXTEND BEYOND THE DESCRIPTION ON THE FACE HEREOF. We neither assume, nor authorize any other person to assume for us, any other obligation or liability in connection with the sale of said GOLD MEDAL equipment or any part thereof.

The term "Original Purchaser" as used in this warranty shall be deemed to mean that person, firm, association, or corporation who was billed by the GOLD MEDAL PRODUCTS COMPANY, or their authorized distributor for the equipment.

THIS WARRANTY HAS NO EFFECT AND IS VOID UNLESS THE ORIGINAL PURCHASER FIRST CALLS GOLD MEDAL PRODUCTS COMPANY AT 1-800-543-0862 TO DISCUSS WITH OUR SERVICE REPRESENTATIVE THE EQUIPMENT PROBLEM, AND, IF NECESSARY, FOR INSTRUCTIONS CONCERNING THE REPAIR OR REPLACEMENT OF PARTS.



**GOLD MEDAL PRODUCTS COMPANY**

**10700 Medallion Drive**

**Cincinnati, Ohio 45241-4807 USA**

**[www.gmpopcorn.com](http://www.gmpopcorn.com)**

**Phone: 1-800-543-0862**

**Fax: 1-800-542-1496**

© The text, descriptions, graphics and other material in this publication are the proprietary and exclusive property of Gold Medal Products Company and shall not be used, copied, reproduced, reprinted or published in any fashion, including website display, without its express written consent.