



GOLD MEDAL PRODUCTS CO.

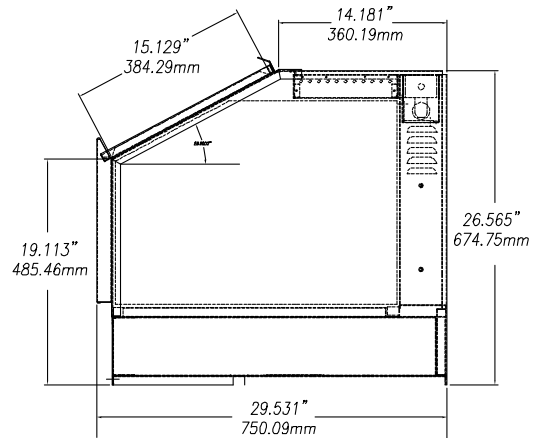
36" Main St. Staging Cabinet

Model No. 2344

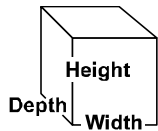
Specifications



Operator Side



Side View



Overall Dimensions:

Width: 36.125" (additionally, the cord comes out the side)

Depth: 29.531"

Height: 27"

Features:

- Capacity: 813 ounces of popcorn

Shipping Weight: 213 lbs.

Electrical (Domestic):

120 V~, 780 W, 60 Hz
(NEMA 5-15P) Plug

Plug Type:



NEMA 5-15P

Agency Approvals:



Gold Medal Products Co.

10700 Medallion Drive, Cincinnati, OH 45050
Phone: (513) 769-7676 1-800-543-0862
Fax: (513) 769-8500
gmpopcorn.com info@gmpopcorn.com



Warranty shall be limited to the repair or replacement of any defective part for a period of six (6) months from the date of sale to the Original purchaser with regard to labor and two (2) years with regard to parts and does not cover damage to the equipment caused by accident, alteration, improper use, voltage, abuse, or failure to follow instructions. See official warranty for complete details.