

Item No. \_\_\_\_\_

**Model Number:** 2660GT

**Description**

**ANTQ DELUXE 60 SPECIAL**



This is the "show piece" of all six ounce deluxe machines. Features the antique styling found in all Gold Medal Gay 90's poppers. Etched glass, cast filigree, brass-like antique finish.

**#2659CR Red, Two-Wheel Cart**

This heavy duty cart is built to the same rugged standards as all of the larger carts and wagons.

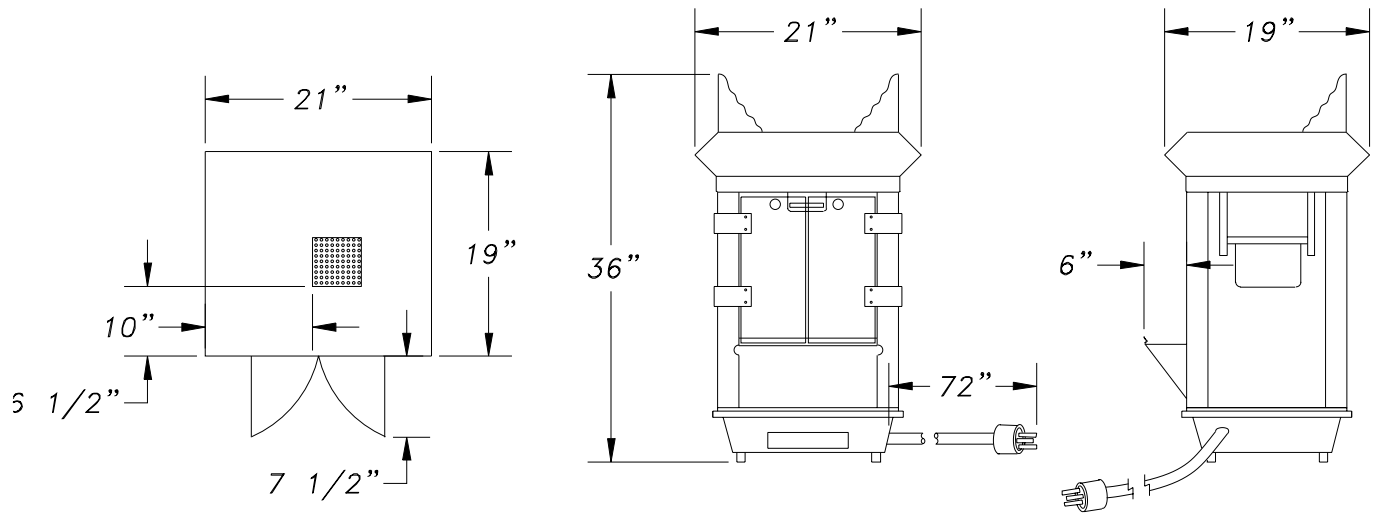


### **Gold Medal Products Co.**

10700 Medallion Drive  
Cincinnati, Ohio 45241-4807  
E-Mail [goldme19@eos.net](mailto:goldme19@eos.net)  
Web Site [gmpopcorn.com](http://gmpopcorn.com)

Phone: (513) 769-7676  
(800) 543-0862  
Fax: (513) 769-8500  
Toll Free Fax (800) 542-1496

Model Number: 2660GT



Width: 21.00  
Length: 19.00  
Height: 36.00  
Weight: 49

Pkg Width:  
Pkg Length:  
Pkg Height:  
Pkg Weight: 68.00  
CU/FT: 0.00

Voltage: 120  
AMPS: 10  
Wattage: 1200

Hertz: 60  
Receptacle: 5-15R  
Plug Type: 5-15P

**Model Variations**

**Gold Medal Products Co.**

10700 Medallion Drive  
Cincinnati, Ohio 45241-4807  
E-Mail [goldme19@eos.net](mailto:goldme19@eos.net)  
Web Site [gmpopcorn.com](http://gmpopcorn.com)

Phone: (513) 769-7676  
(800) 543-0862  
Fax: (513) 769-8500  
Toll Free Fax (800) 542-1496