

## Snapshot

The **QTSFT-3** is a three cartridge water treatment system with three 15" Qwik-Twist cartridges. It utilizes ion-exchange resin to remove hardness minerals eliminating lime-scale deposits. The system takes out dirt and sediment down to 10 microns and includes activated carbon to reduce chlorine, off-taste and odor.

## System Benefits

- Improves the quality and consistency of cold and hot beverages.
- Reduces maintenance frequency and cost, and extends equipment life.
- Reduces sediment, chlorine and taste & odor.
- Powder-coated steel mounting bracket, push-to-fit connections and full-flow inlet shut-off valve makes installation simple.
- Built-in flush valve for easy cartridge flushing and hardness testing.
- 1/4 turn Qwik-Twist bayonet cartridges make changing the filters quick and simple.

ITEM #: \_\_\_\_\_ QTY: \_\_\_\_\_  
JOB NAME/NUMBER \_\_\_\_\_

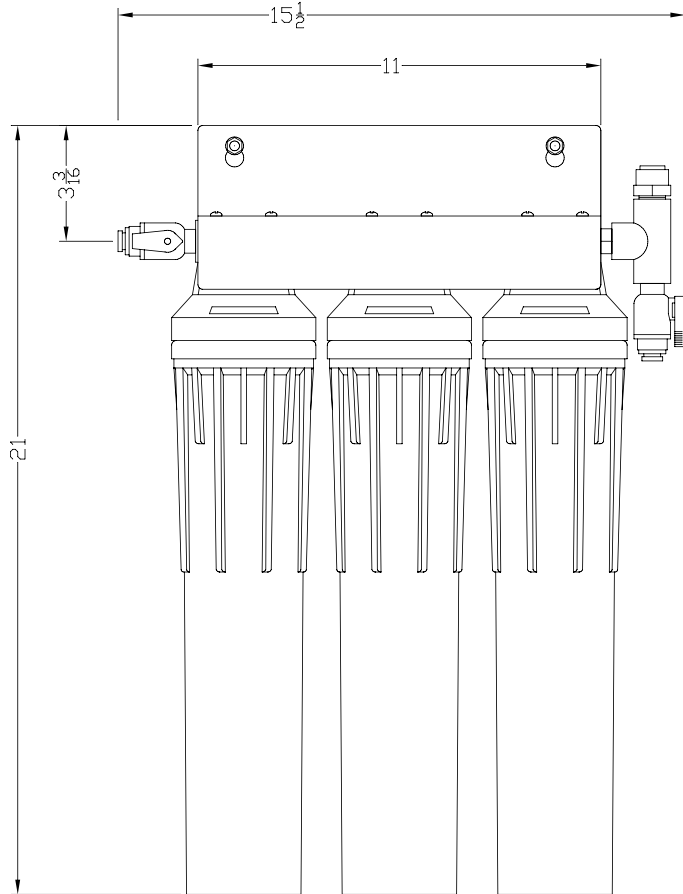


## Application

ESPRESSO MACHINES  
TEA BREWERS  
BUN WARMERS AND  
SMALL TABLE-TOP STEAMERS

## Installation Tips

- Feed-water connection to system should be COLD only.
- Do not exceed system specifications for temperature and pressure.
- Allow 3" clearance below system for filter housing removal and cartridge replacement.
- Detailed installation, operation & maintenance manual is included with each system.
- No activation procedure is required for system to perform as specified.



This product is for commercial use only and must be installed and maintained according to manufacturers guidelines.

Do not use on water that is microbiologically unsafe or of unknown quality without adequate disinfection before or after the system.

Dealer/Distributor Info:

## ► Specifications

System	
Dimensions (Height x Width X Depth, inches)	21 x 15.5 x 4.5
Connection - Inlet & Outlet	3/8" Push Fit
Operating Pressure Range	10-125 psi (0.7 -8.6 bar)
Inlet Water Temperature Range	35° -100° F (2° -38° C)
Shipping Weight	16 lbs.
Performance	
Chlorine, Taste and Odor Reduction Capacity	1500 gals. (5,670 Liters)
Service Flow Rate	1 gpm (3.78 lpm)
Sediment Reduction	10 micron (nominal)
Hardness Removal	4,500 grains

To calculate softening system capacity - divide the "Hardness Removal" capacity of the system by the grains per gallon (gpg) of water hardness.

Example: 4,500 grains capacity/7 gpg = 643 gallons capacity.  
That's more than 20,500 double shots of espresso.

If hardness is provided in mg/l units divide the value of mg/l by 17.1 to get grains per gallon of water hardness. Example: 120 mg/l of hardness/17.1= 7 gpg.

## ► Replacement Cartridge(s)

Model	Part Number	Qty
CSFT-Q	300-05885	1
SFT-Q	300-05890	2

It is recommended that filters be changed when capacity is reached, when effluent pressure or flow becomes inadequate or at a minimum every six (6) months.

## ► Warranty

Systems have a 3 year warranty against defects in material and workmanship. For complete warranty information contact OptiPure customer service or go to the OptiPure website.

**OptiPure, Mfg. by Procam Controls, Inc.**  
2605 Technology Dr., Bldg 300  
Plano, TX 75074  
p: 972.881.9797; f: 972.422.6262  
[www.optipurewater.com](http://www.optipurewater.com)